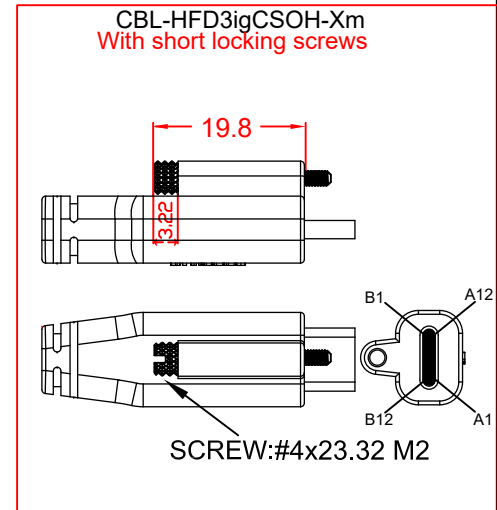
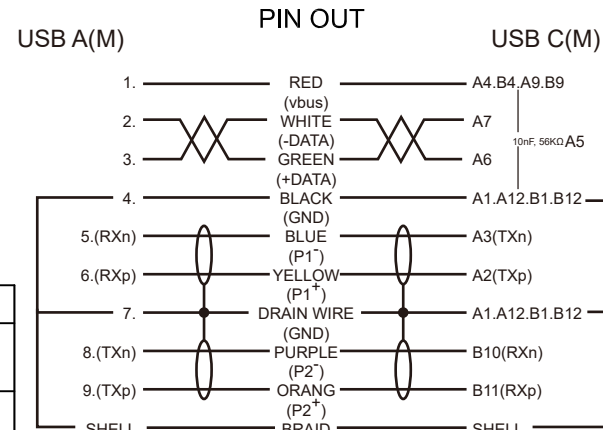
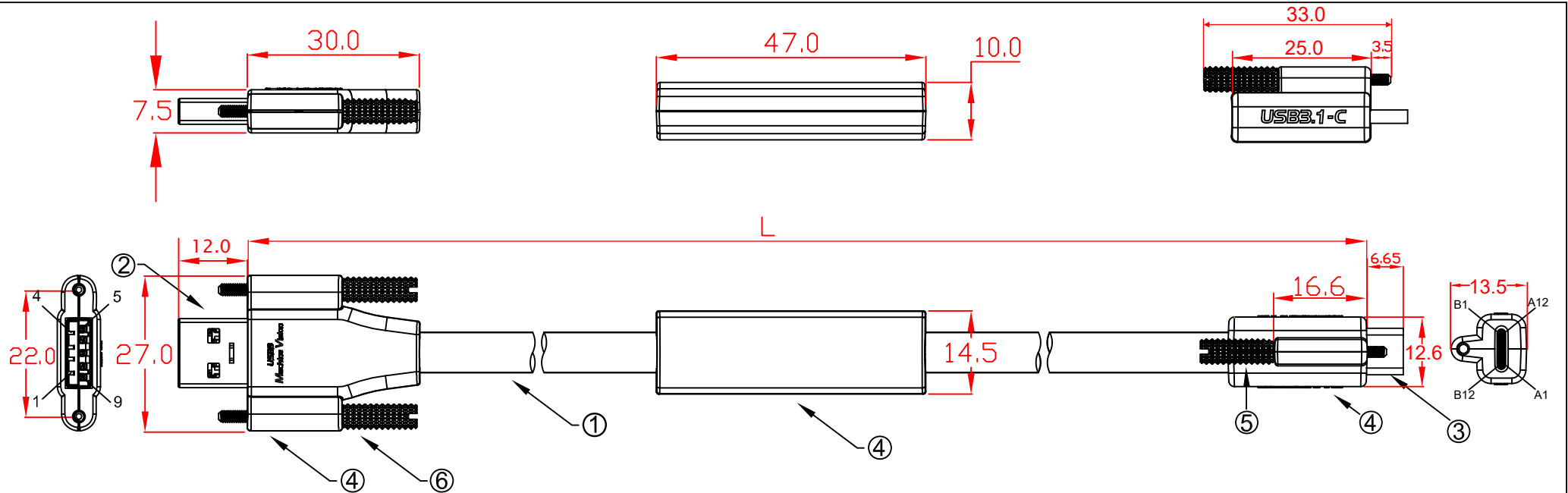


L:
 CBL-HFD3igCSO-4m 4000mm±30mm
 CBL-HFD3igCSO-5m 5000mm±30mm
 CBL-HFD3igCSO-6m 6000mm±30mm

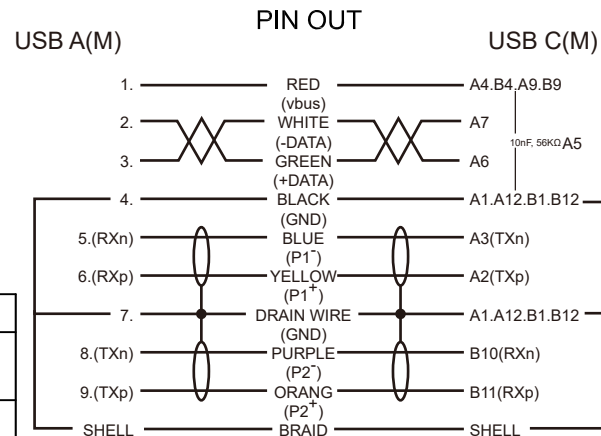


No	MATERIALS LIST:
1.	CABLE:UL20236 (2x(2x28AWG)+2x(2x28AWG)C) OD:7.0mm PUR JACKET COLOR:RED LILAC
2.	CONNECTOR:USB 3.0 A/M, 9P, BLUE INSULATOR SOLDER TYPE, NICKEL PLATED SHELL
3.	CONNECTOR:USB 3.1 TYPE-C, MALE, NICKEL PLATED SHELL
4.	PVC MOLDED HOUSING, BLACK COLOR
5.	SCREW:#4x33 M2
6.	SCREW:#4x34.5 M2

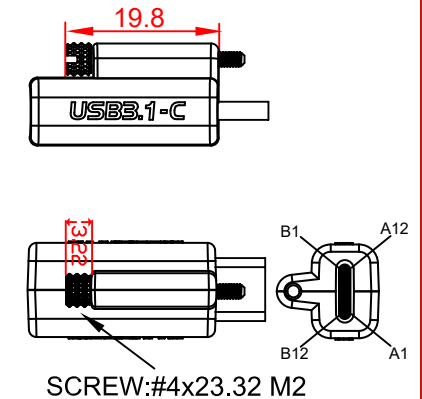
Jargy part no.	Client part no.	Approved	SCALE	UNIT
CBL-HFD3igCSO-xm				mm
Drawing Name		Drawn	Date	REV.
USB 3.1 GEN 1 A to C Cable M/M				1.0



L:
 CBL-HFD3igCSO-4m 4000mm±30mm
 CBL-HFD3igCSO-5m 5000mm±30mm
 CBL-HFD3igCSO-6m 6000mm±30mm

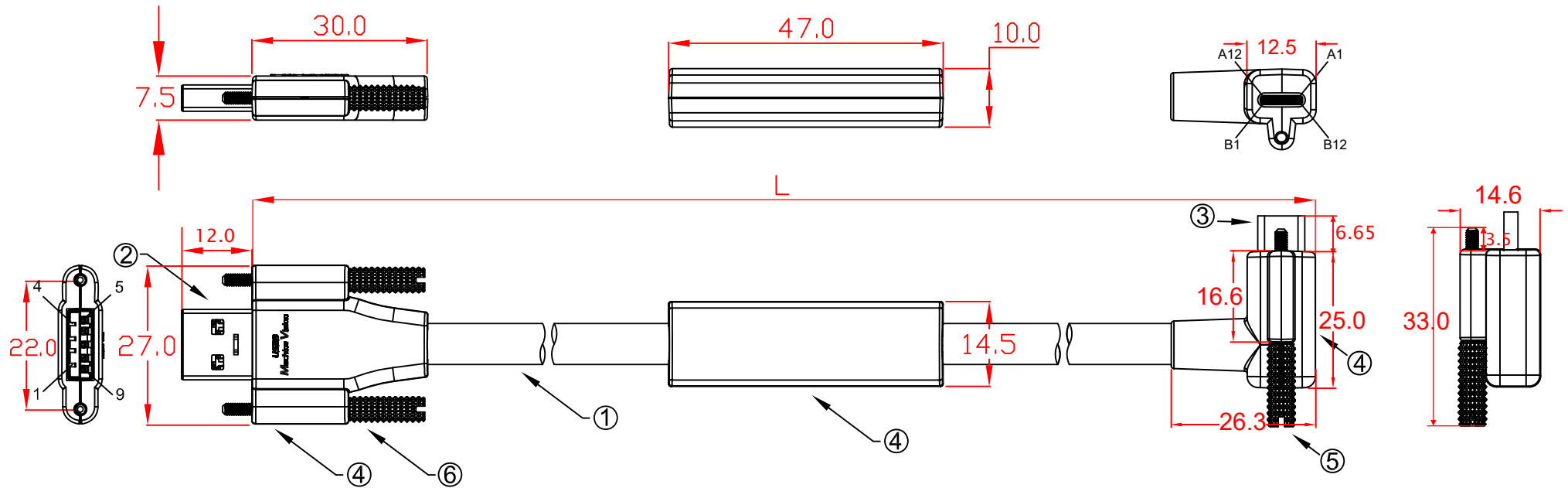


**CBL-HFD3igCSOH-Xm
 With short locking screws**

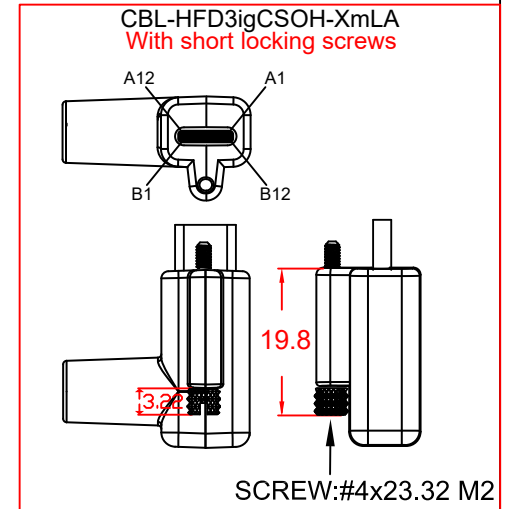
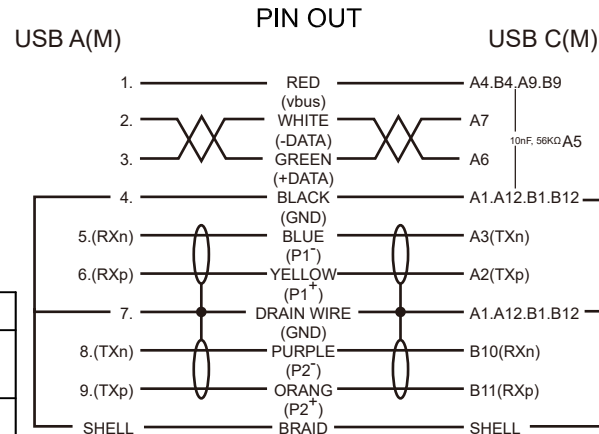


No	MATERIALS LIST:
1.	CABLE:UL20236 (2x(2x28AWG)+2x(2x28AWG)C) OD:7.0mm PUR JACKET COLOR:RED LILAC
2.	CONNECTOR:USB 3.0 A/M, 9P, BLUE INSULATOR SOLDER TYPE, NICKEL PLATED SHELL
3.	CONNECTOR:USB 3.1 TYPE-C, MALE, NICKEL PLATED SHELL
4.	ABS ASSEMBLY HOUSING, BLACK COLOR
5.	SCREW:#4x33 M2
6.	SCREW:#4x34.5 M2

Jargy part no.	Client part no.	Approved	SCALE	UNIT
CBL-HFD3igCSO-xm				mm
Drawing Name		Drawn	Date	REV.
USB 3.1 GEN 1 A to C Cable M/M				1.0

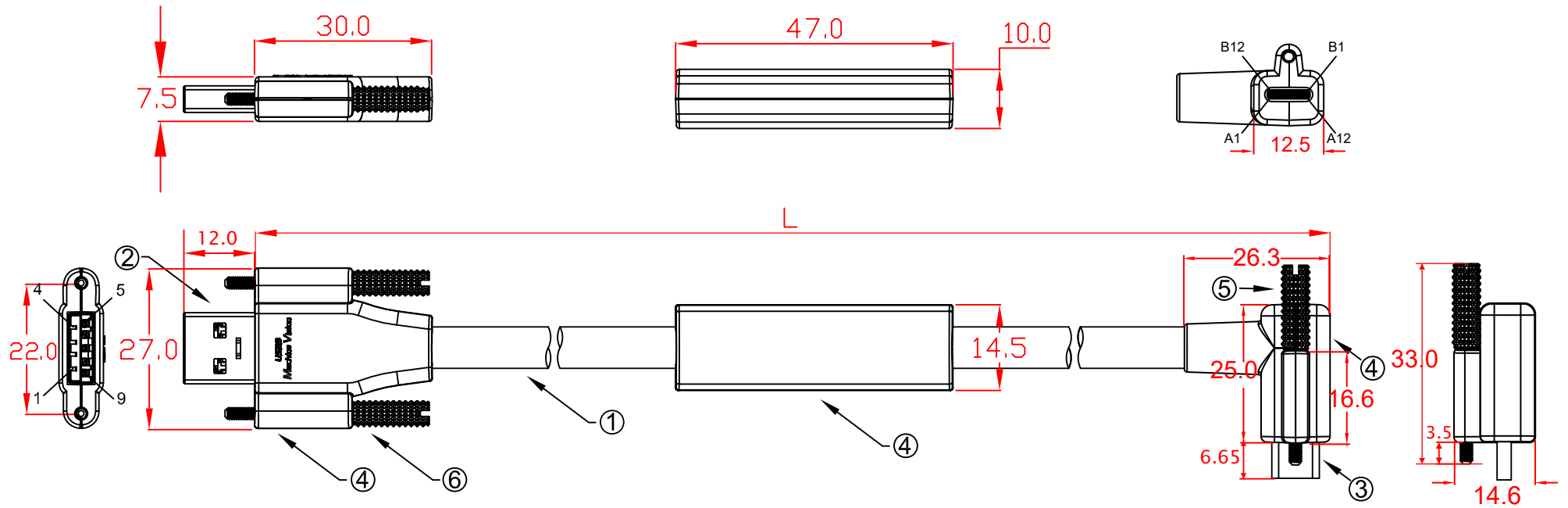


L:
 CBL-HFD3igCSO-4mLA 4000mm±30mm
 CBL-HFD3igCSO-5mLA 5000mm±30mm
 CBL-HFD3igCSO-6mLA 6000mm±30mm

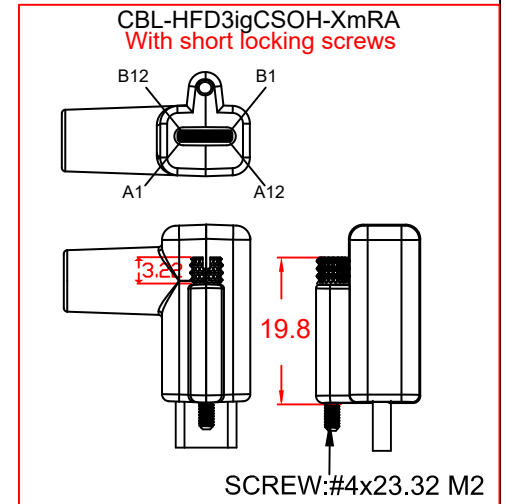
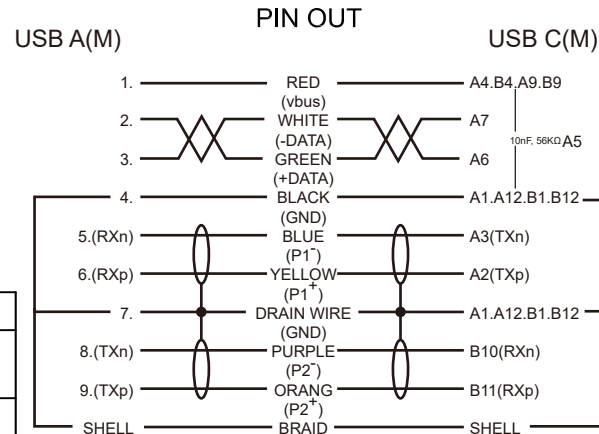


No	MATERIALS LIST:
1.	CABLE:UL20236 (2x(2x28AWG)+2x(2x28AWG)C) OD:7.0mm PUR JACKET COLOR:RED LILAC
2.	CONNECTOR:USB 3.0 A/M, 9P, BLUE INSULATOR SOLDER TYPE, NICKEL PLATED SHELL
3.	CONNECTOR:USB 3.1 TYPE-C, MALE, NICKEL PLATED SHELL
4.	ABS ASSEMBLY HOUSING, BLACK COLOR
5.	SCREW:#4x33 M2
6.	SCREW:#4x34.5 M2

Jargy part no.	Client part no.	Approved	SCALE	UNIT
CBL-HFD3igCSO-xmLA				mm
Drawing Name		Drawn	Date	REV.
USB 3.1 GEN 1 A to C Cable M/M				1.0

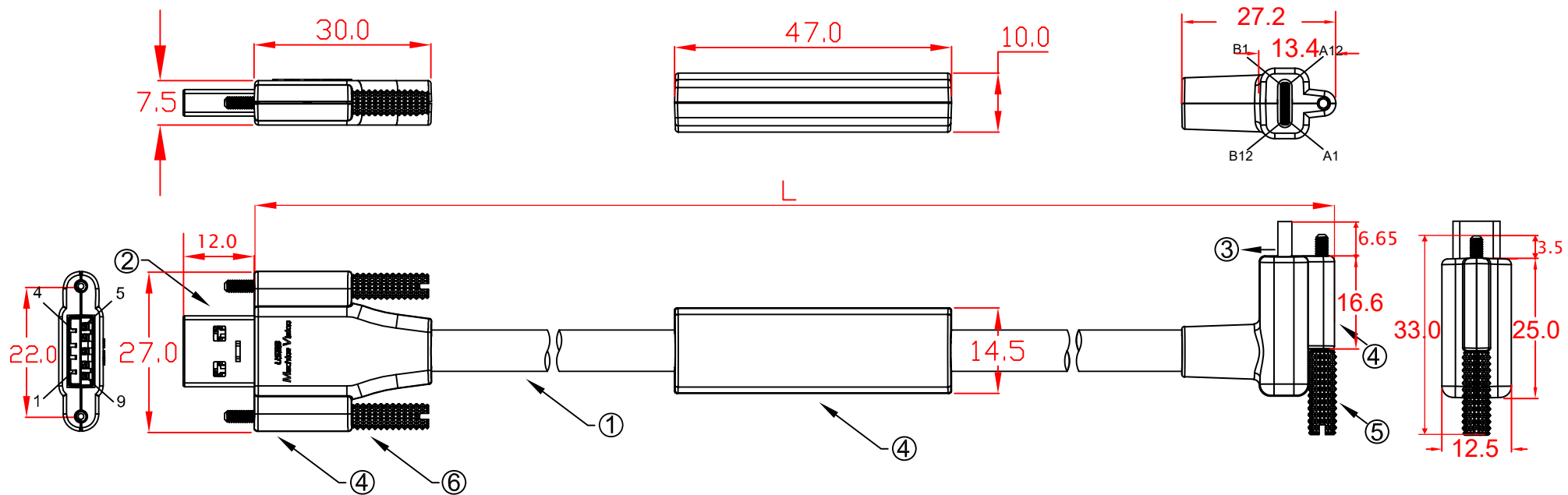


L:
 CBL-HFD3igCSO-4mRA 4000mm±30mm
 CBL-HFD3igCSO-5mRA 5000mm±30mm
 CBL-HFD3igCSO-6mRA 6000mm±30mm

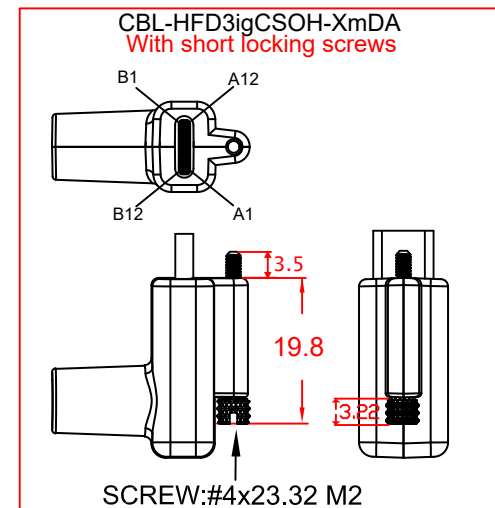
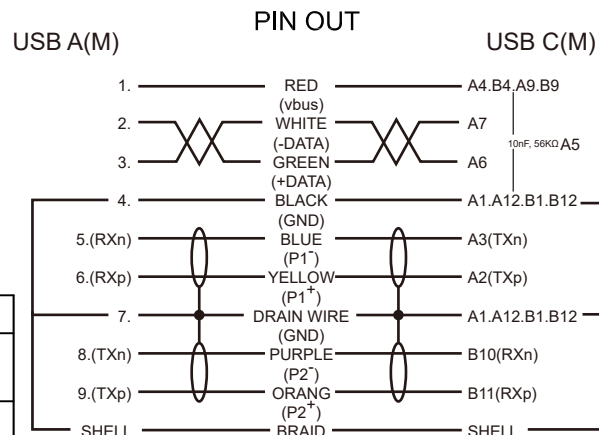


No	MATERIALS LIST:
1.	CABLE:UL20236 (2x(2x28AWG)+2x(2x28AWG)C) OD:7.0mm PUR JACKET COLOR:RED LILAC
2.	CONNECTOR:USB 3.0 A/M, 9P, BLUE INSULATOR SOLDER TYPE, NICKEL PLATED SHELL
3.	CONNECTOR:USB 3.1 TYPE-C, MALE, NICKEL PLATED SHELL
4.	ABS ASSEMBLY HOUSING, BLACK COLOR
5.	SCREW:#4x33 M2
6.	SCREW:#4x34.5 M2

Jargy part no.	Client part no.	Approved	SCALE	UNIT
CBL-HFD3igCSO-xmRA				mm
Drawing Name		Drawn	Date	REV.
USB 3.1 GEN 1 A to C Cable M/M				1.0

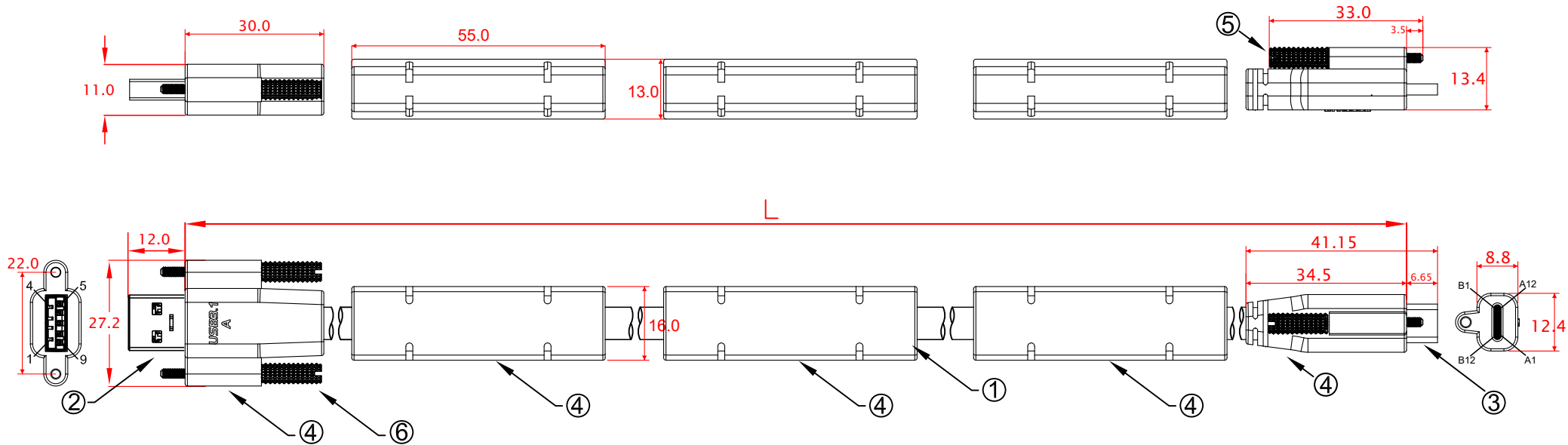


L:
 CBL-HFD3igCSO-4mDA 4000mm±30mm
 CBL-HFD3igCSO-5mDA 5000mm±30mm
 CBL-HFD3igCSO-6mDA 6000mm±30mm



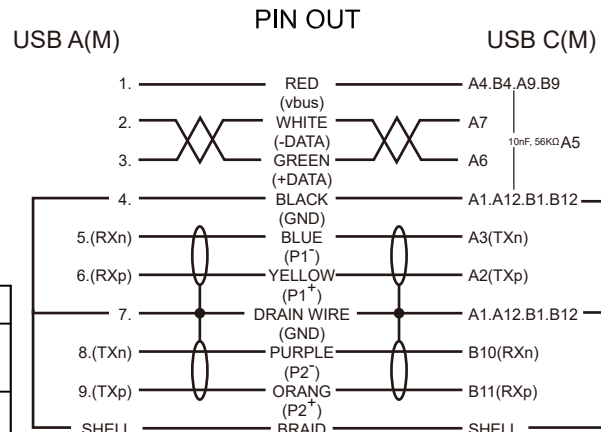
No	MATERIALS LIST:
1.	CABLE:UL20236 (2x(2x28AWG)+2x(2x28AWG)C) OD:7.0mm PUR JACKET COLOR:RED LILAC
2.	CONNECTOR:USB 3.0 A/M, 9P, BLUE INSULATOR SOLDER TYPE, NICKEL PLATED SHELL
3.	CONNECTOR:USB 3.1 TYPE-C, MALE, NICKEL PLATED SHELL
4.	ABS ASSEMBLY HOUSING, BLACK COLOR
5.	SCREW:#4x33 M2
6.	SCREW:#4x34.5 M2

Jargy part no.	Client part no.	Approved	SCALE	UNIT
CBL-HFD3igCSO-xmDA				mm
Drawing Name		Drawn	Date	REV.
USB 3.1 GEN 1 A to C Cable M/M				1.0

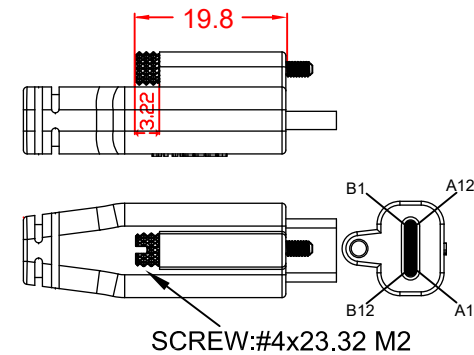


L:
 CBL-HFD3igCSO-7m 7000mm±50mm
 CBL-HFD3igCSO-8m 8000mm±50mm
 CBL-HFD3igCSO-9m 9000mm±50mm

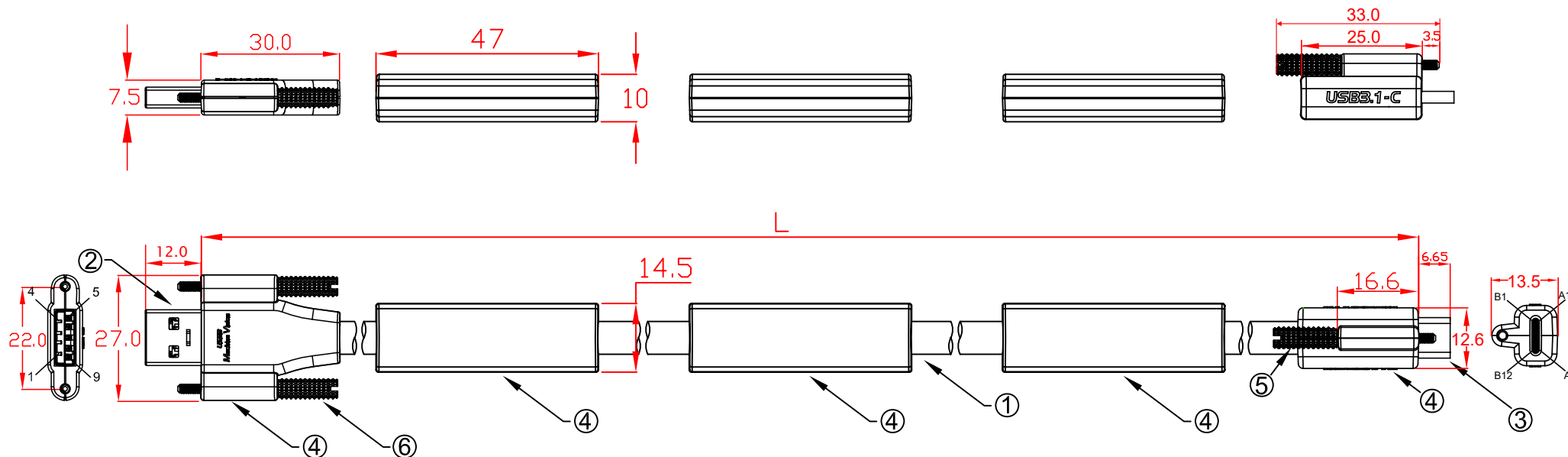
No	MATERIALS LIST:
1.	CABLE:UL20236 (2x(2x28AWG)+2x(2x28AWG)C) OD:7.0mm PUR JACKET COLOR:RED LILAC
2.	CONNECTOR:USB 3.0 A/M, 9P, BLUE INSULATOR SOLDER TYPE, NICKEL PLATED SHELL
3.	CONNECTOR:USB 3.1 TYPE-C, MALE, NICKEL PLATED SHELL
4.	PVC MOLDED HOUSING, BLACK COLOR
5.	SCREW:#4x33 M2
6.	SCREW:#4x34.5 M2



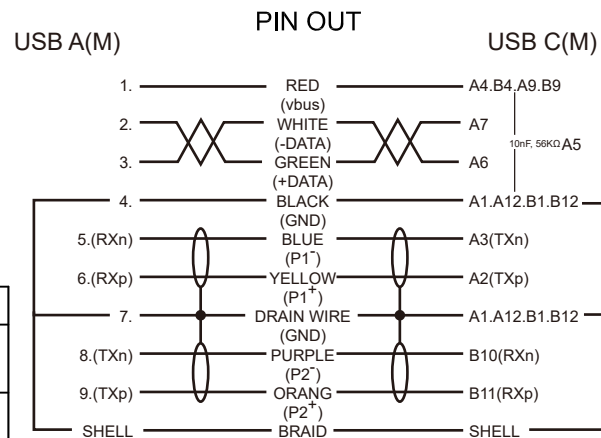
CBL-HFD3igCSOH-Xm
 With short locking screws



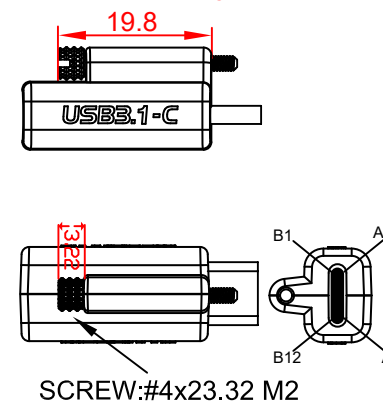
Jargy part no.	Client part no.	Approved	SCALE	UNIT
CBL-HFD3igCSO-xm				mm
Drawing Name		Drawn	Date	REV.
USB 3.1 GEN 1 A to C Cable M/M				1.0



L:
 CBL-HFD3igCSO-7m 7000mm±50mm
 CBL-HFD3igCSO-8m 8000mm±50mm
 CBL-HFD3igCSO-9m 9000mm±50mm



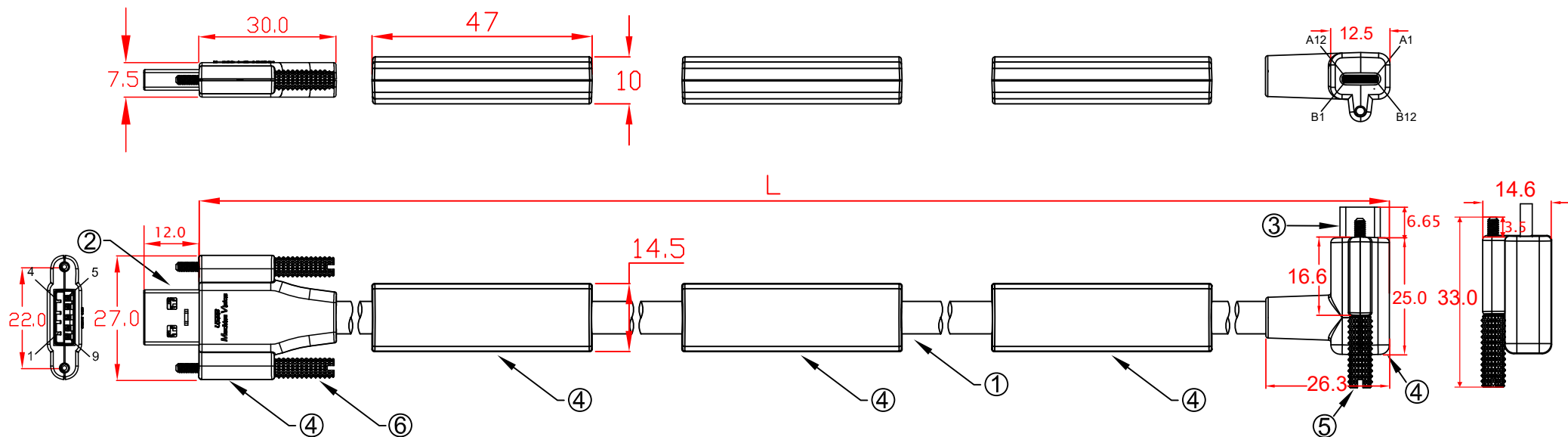
CBL-HFD3igCSOH-Xm
 With short locking screws



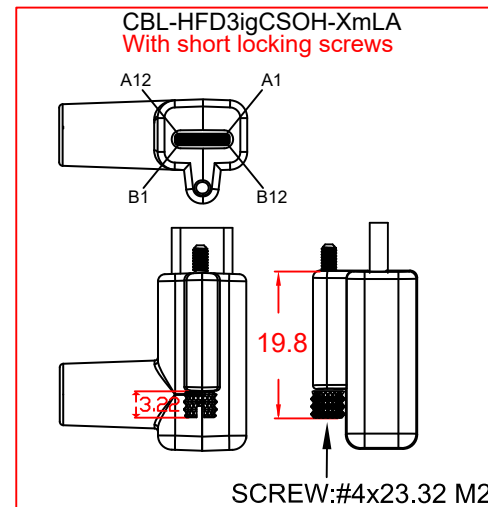
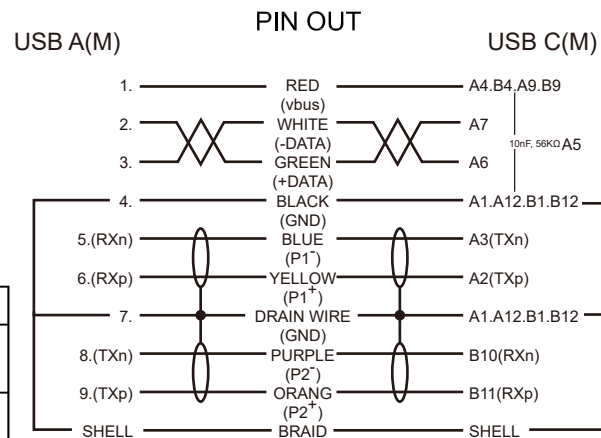
No	MATERIALS LIST:
1.	CABLE:UL20236 (2x(2x28AWG)+2x(2x28AWG)C) OD:7.0mm PUR JACKET COLOR:RED LILAC
2.	CONNECTOR:USB 3.0 A/M, 9P, BLUE INSULATOR SOLDER TYPE, NICKEL PLATED SHELL
3.	CONNECTOR:USB 3.1 TYPE-C, MALE, NICKEL PLATED SHELL
4.	ABS ASSEMBLY HOUSING, BLACK COLOR
5.	SCREW:#4x33 M2
6.	SCREW:#4x34.5 M2

Jargy part no.	Client part no.	Approved	SCALE	UNIT
CBL-HFD3igCSO-xm				mm
Drawing Name		Drawn	Date	REV.
USB 3.1 GEN 1 A to C Cable M/M				1.0



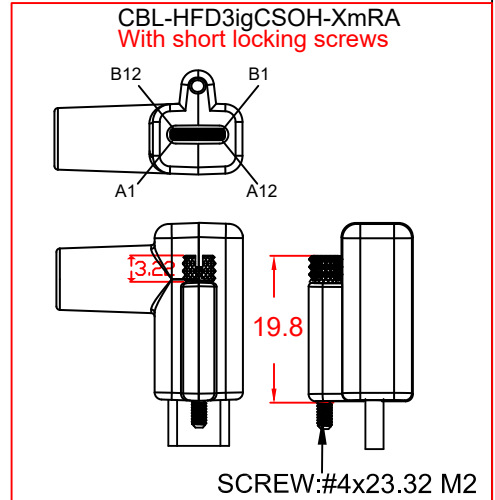
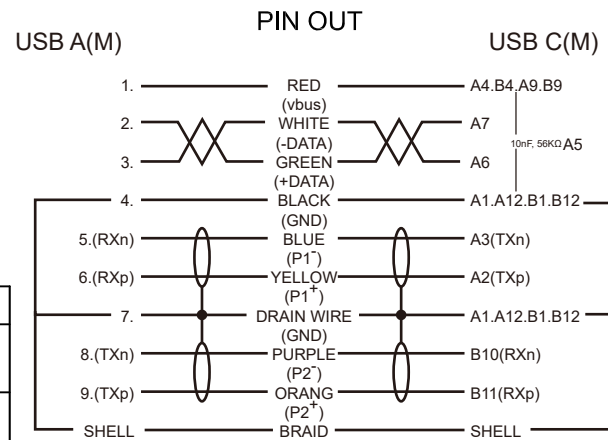
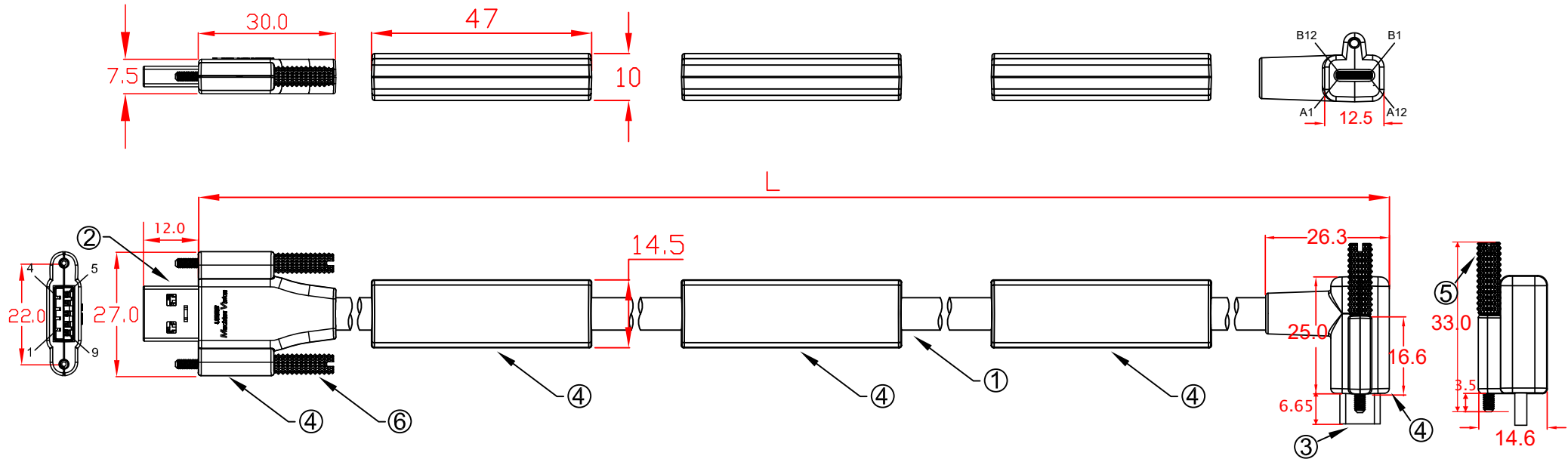


L:
 CBL-HFD3igCSO-7mLA 7000mm±50mm
 CBL-HFD3igCSO-8mLA 8000mm±50mm
 CBL-HFD3igCSO-9mLA 9000mm±50mm



No	MATERIALS LIST:
1.	CABLE:UL20236 (2x(2x28AWG)+2x(2x28AWG)C) OD:7.0mm PUR JACKET COLOR:RED LILAC
2.	CONNECTOR:USB 3.0 A/M, 9P, BLUE INSULATOR SOLDER TYPE, NICKEL PLATED SHELL
3.	CONNECTOR:USB 3.1 TYPE-C, MALE, NICKEL PLATED SHELL
4.	ABS ASSEMBLY HOUSING, BLACK COLOR
5.	SCREW:#4x33 M2
6.	SCREW:#4x34.5 M2

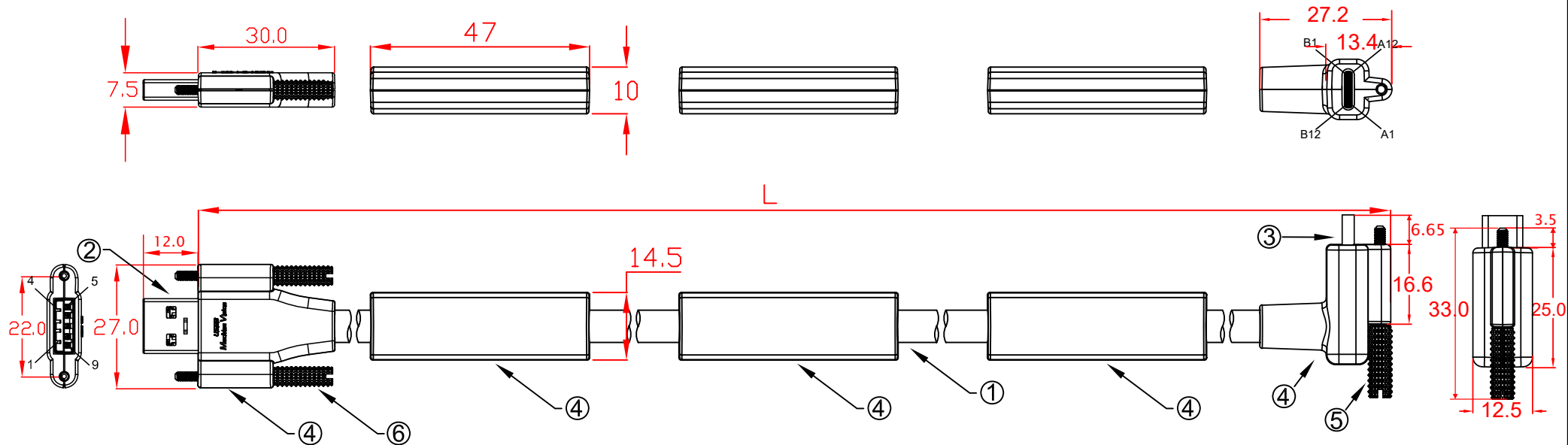
Jargy part no.	Client part no.	Approved	SCALE	UNIT
CBL-HFD3igCSO-xmLA				mm
Drawing Name		Drawn	Date	REV.
USB 3.1 GEN 1 A to C Cable M/M				1.0



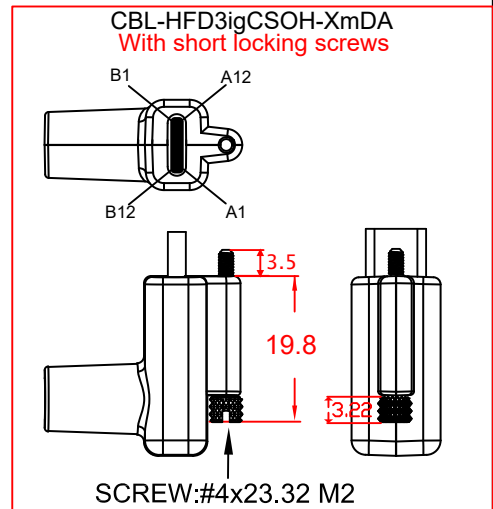
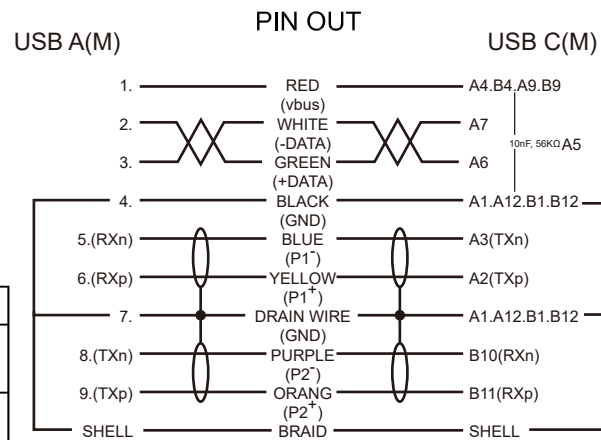
L:
 CBL-HFD3igCSO-7mRA 7000mm±50mm
 CBL-HFD3igCSO-8mRA 8000mm±50mm
 CBL-HFD3igCSO-9mRA 9000mm±50mm

No	MATERIALS LIST:
1.	CABLE:UL20236 (2x(2x28AWG)+2x(2x28AWG)C) OD:7.0mm PUR JACKET COLOR:RED LILAC
2.	CONNECTOR:USB 3.0 A/M, 9P, BLUE INSULATOR SOLDER TYPE, NICKEL PLATED SHELL
3.	CONNECTOR:USB 3.1 TYPE-C, MALE, NICKEL PLATED SHELL
4.	ABS ASSEMBLY HOUSING, BLACK COLOR
5.	SCREW:#4x33 M2
6.	SCREW:#4x34.5 M2

Jargy part no.	Client part no.	Approved	SCALE	UNIT
CBL-HFD3igCSO-xmRA				mm
Drawing Name		Drawn	Date	REV.
USB 3.1 GEN 1 A to C Cable M/M				1.0

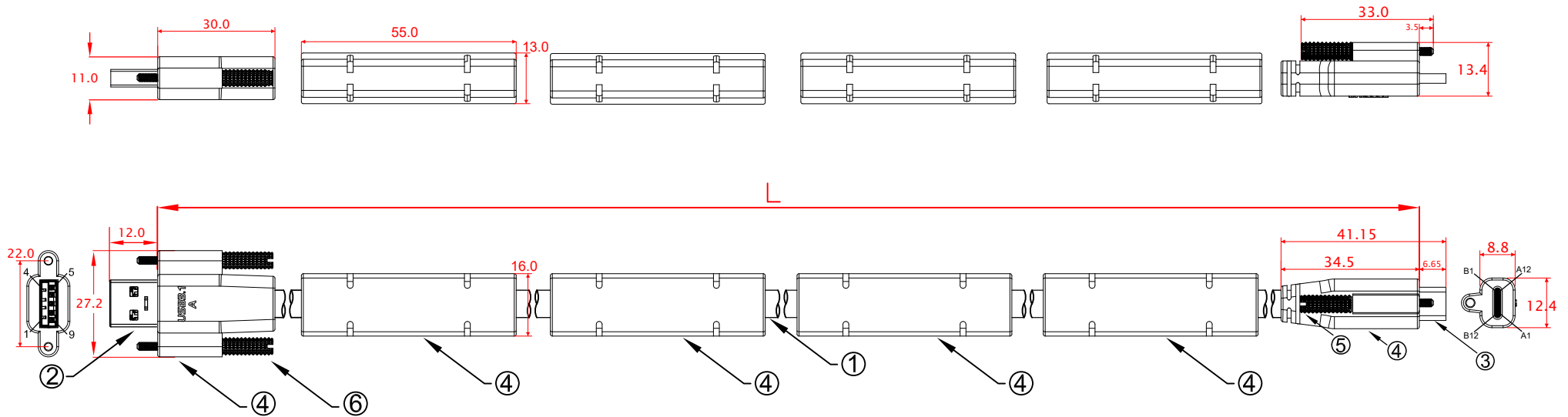


L:
 CBL-HFD3igCSO-7mDA 7000mm±50mm
 CBL-HFD3igCSO-8mDA 8000mm±50mm
 CBL-HFD3igCSO-9mDA 9000mm±50mm



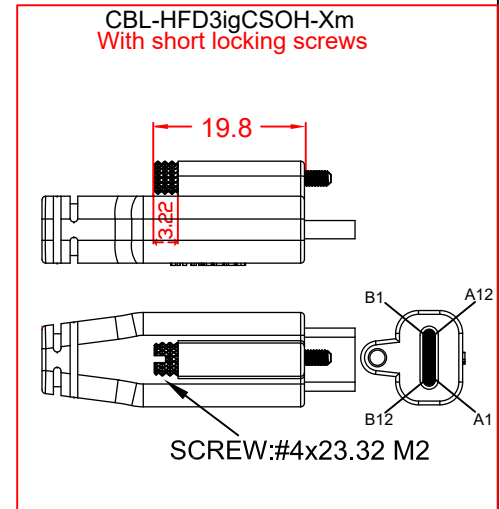
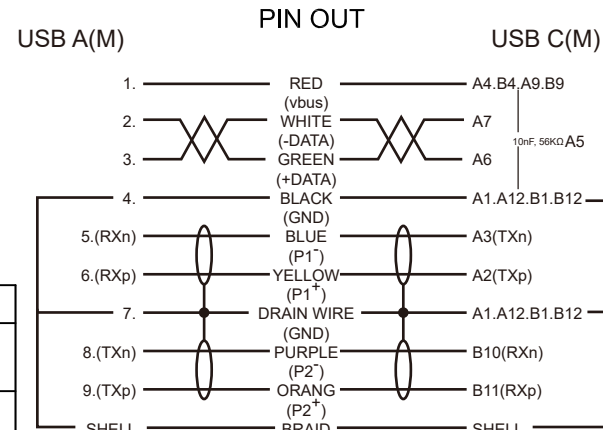
No	MATERIALS LIST:
1.	CABLE:UL20236 (2x(2x28AWG)+2x(2x28AWG)C) OD:7.0mm PUR JACKET COLOR:RED LILAC
2.	CONNECTOR:USB 3.0 A/M, 9P, BLUE INSULATOR SOLDER TYPE, NICKEL PLATED SHELL
3.	CONNECTOR:USB 3.1 TYPE-C, MALE, NICKEL PLATED SHELL
4.	ABS ASSEMBLY HOUSING, BLACK COLOR
5.	SCREW:#4x33 M2
6.	SCREW:#4x34.5 M2

Jargy part no.	Client part no.	Approved	SCALE	UNIT
CBL-HFD3igCSO-xmDA				mm
Drawing Name		Drawn	Date	REV.
USB 3.1 GEN 1 A to C Cable M/M				1.0



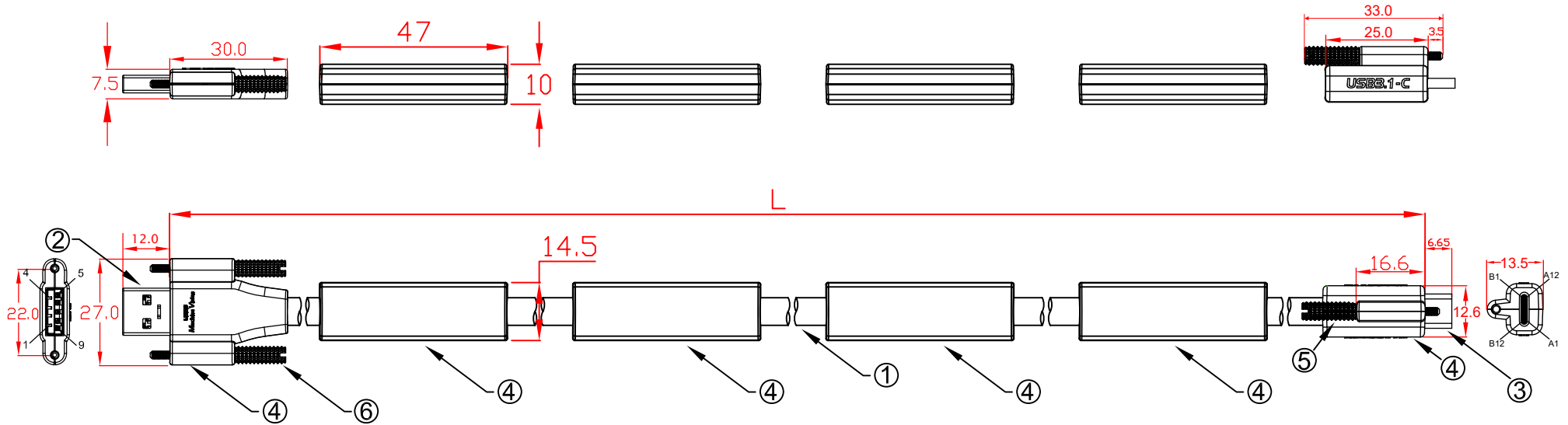
L:
 CBL-HFD3igCSO-10m 10000mm±50mm
 CBL-HFD3igCSO-11m 11000mm±50mm
 CBL-HFD3igCSO-12m 12000mm±50mm

No	MATERIALS LIST:
1.	CABLE:UL20236 (2x(2x28AWG)+2x(2x28AWG)C) OD:7.0mm PUR JACKET COLOR:RED LILAC
2.	CONNECTOR:USB 3.0 A/M, 9P, BLUE INSULATOR SOLDER TYPE, NICKEL PLATED SHELL
3.	CONNECTOR:USB 3.1 TYPE-C, MALE, NICKEL PLATED SHELL
4.	PVC MOLDED HOUSING, BLACK COLOR
5.	SCREW:#4x33 M2
6.	SCREW:#4x34.5 M2

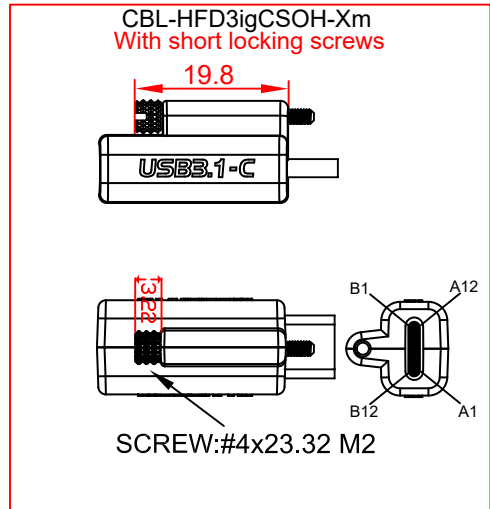
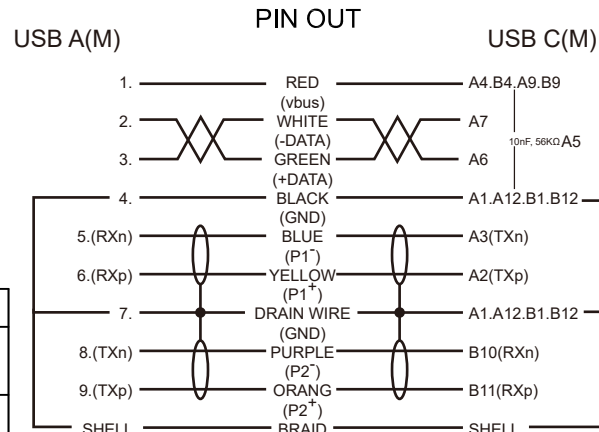


Jargy part no.	Client part no.	Approved	SCALE	UNIT
CBL-HFD3igCSO-xm				mm
Drawing Name		Drawn	Date	REV.
USB 3.1 GEN 1 A to C Cable M/M				1.0

Mobile Computing

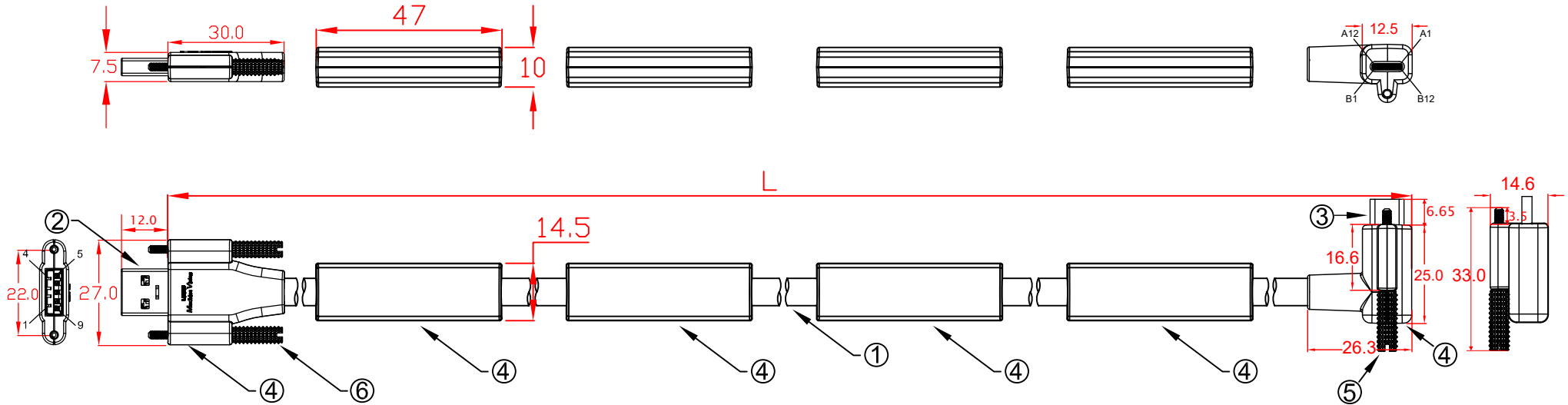


L:
 CBL-HFD3igCSO-10m 10000mm±50mm
 CBL-HFD3igCSO-11m 11000mm±50mm
 CBL-HFD3igCSO-12m 12000mm±50mm



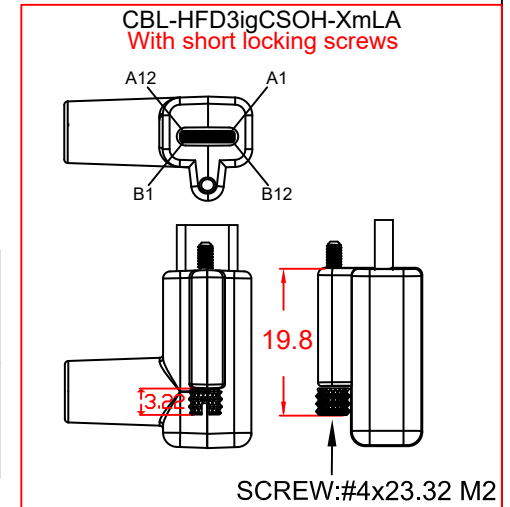
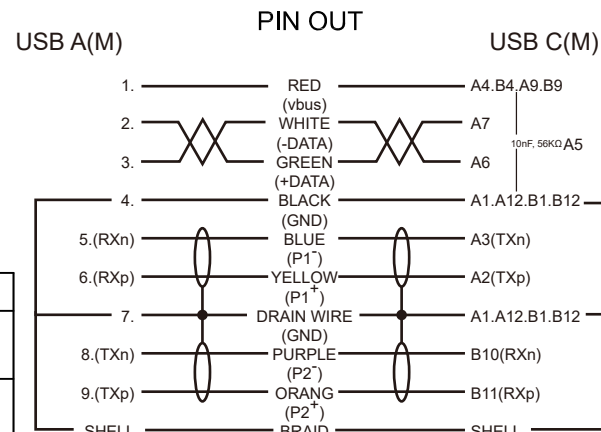
No	MATERIALS LIST:
1.	CABLE:UL20236 (2x(2x28AWG)+2x(2x28AWG)C) OD:7.0mm PUR JACKET COLOR:RED LILAC
2.	CONNECTOR:USB 3.0 A/M, 9P, BLUE INSULATOR SOLDER TYPE, NICKEL PLATED SHELL
3.	CONNECTOR:USB 3.1 TYPE-C, MALE, NICKEL PLATED SHELL
4.	ABS ASSEMBLY HOUSING, BLACK COLOR
5.	SCREW:#4x33 M2
6.	SCREW:#4x34.5 M2

Jargy part no.	Client part no.	Approved	SCALE	UNIT
CBL-HFD3igCSO-xm				mm
Drawing Name		Drawn	Date	REV.
USB 3.1 GEN 1 A to C Cable M/M				1.0

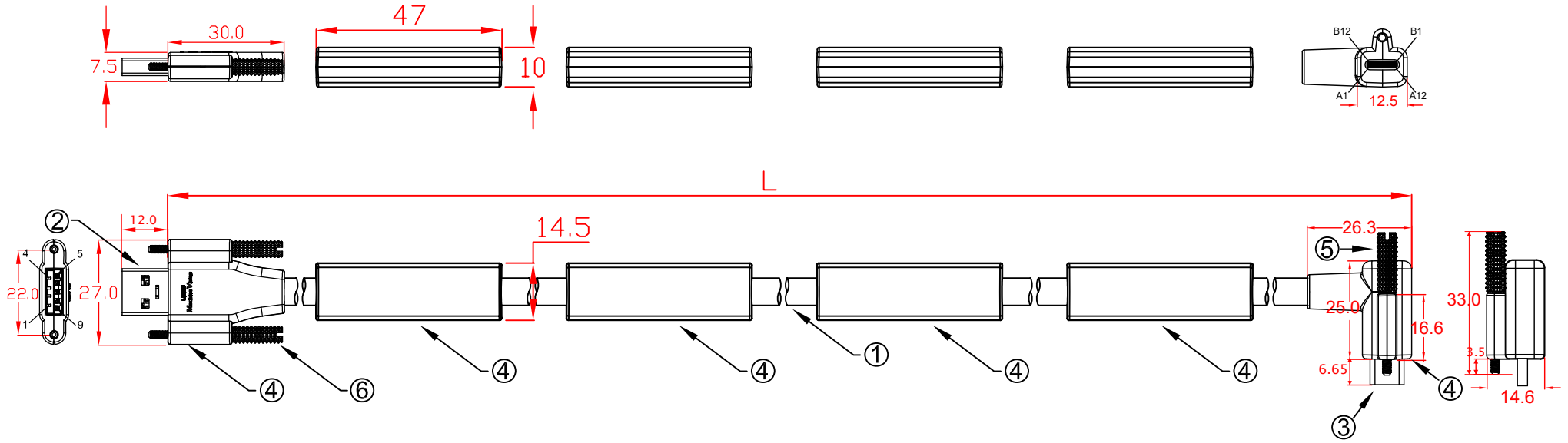


L:
 CBL-HFD3igCSO-10mLA 10000mm±50mm
 CBL-HFD3igCSO-11mLA 11000mm±50mm
 CBL-HFD3igCSO-12mLA 12000mm±50mm

No	MATERIALS LIST:
1.	CABLE:UL20236 (2x(2x28AWG)+2x(2x28AWG)C) OD:7.0mm PUR JACKET COLOR:RED LILAC
2.	CONNECTOR:USB 3.0 A/M, 9P, BLUE INSULATOR SOLDER TYPE, NICKEL PLATED SHELL
3.	CONNECTOR:USB 3.1 TYPE-C, MALE, NICKEL PLATED SHELL
4.	ABS ASSEMBLY HOUSING, BLACK COLOR
5.	SCREW:#4x33 M2
6.	SCREW:#4x34.5 M2

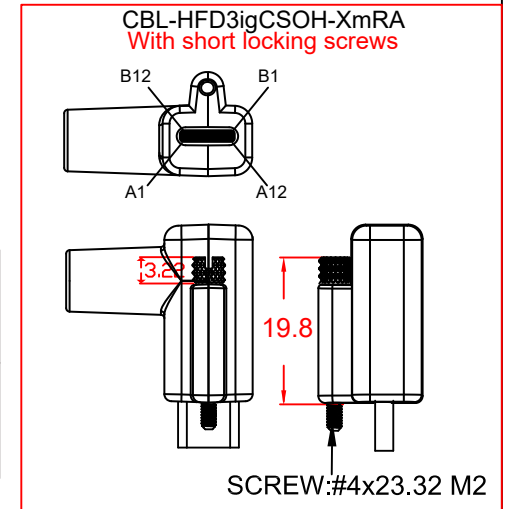
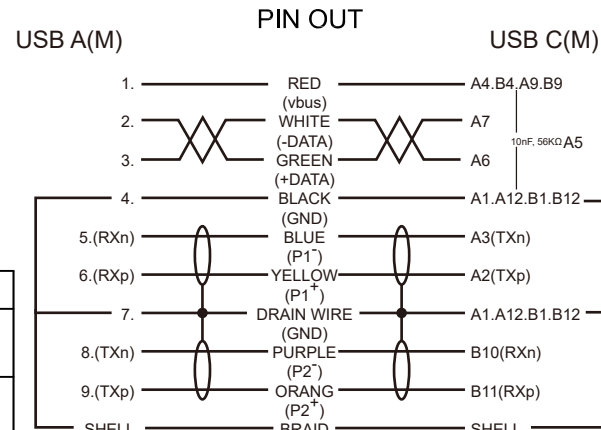


Jargy part no.	Client part no.	Approved	SCALE	UNIT
CBL-HFD3igCSO-xmLA				mm
Drawing Name		Drawn	Date	REV.
USB 3.1 GEN 1 A to C Cable M/M				1.0



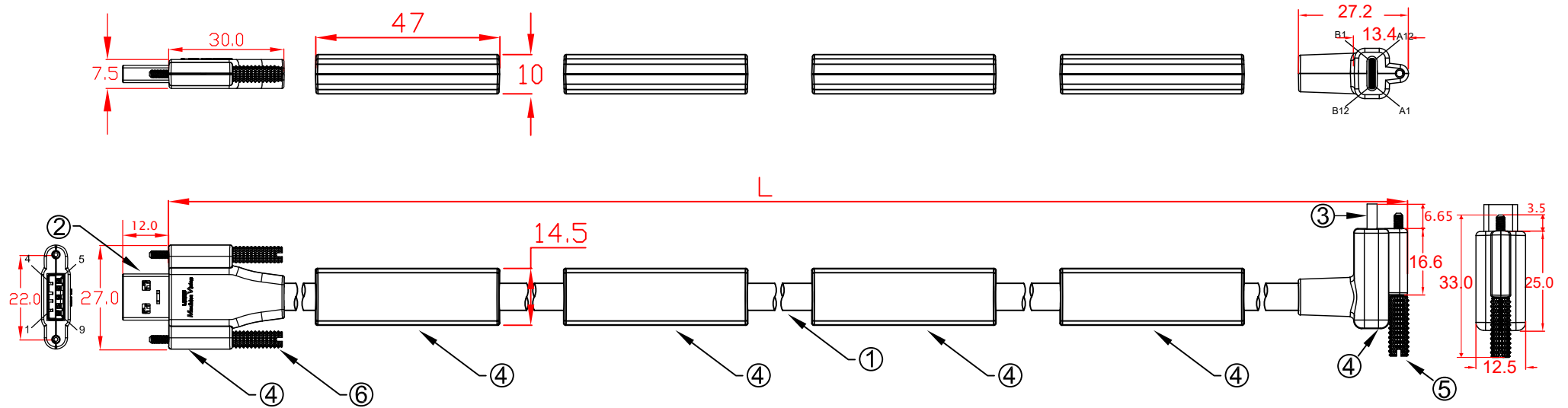
L:
 CBL-HFD3igCSO-10mRA 10000mm±50mm
 CBL-HFD3igCSO-11mRA 11000mm±50mm
 CBL-HFD3igCSO-12mRA 12000mm±50mm

No	MATERIALS LIST:
1.	CABLE:UL20236 (2x(2x28AWG)+2x(2x28AWG)C) OD:7.0mm PUR JACKET COLOR:RED LILAC
2.	CONNECTOR:USB 3.0 A/M, 9P, BLUE INSULATOR SOLDER TYPE, NICKEL PLATED SHELL
3.	CONNECTOR:USB 3.1 TYPE-C, MALE, NICKEL PLATED SHELL
4.	ABS ASSEMBLY HOUSING, BLACK COLOR
5.	SCREW:#4x33 M2
6.	SCREW:#4x34.5 M2



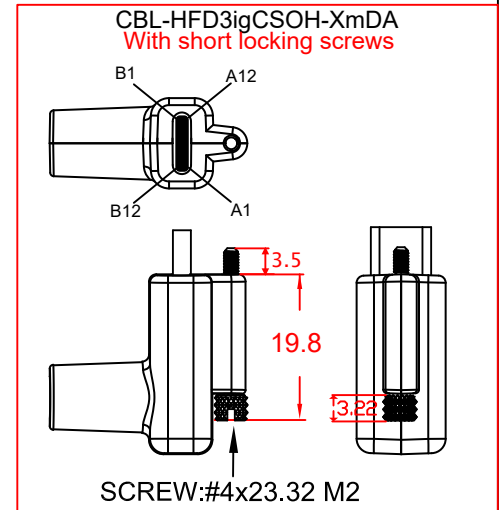
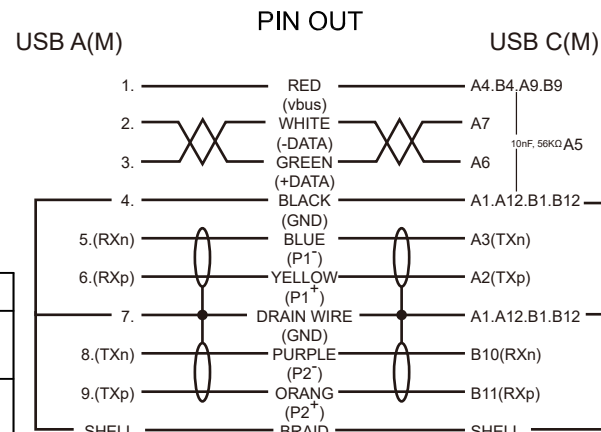
Jargy part no.	Client part no.	Approved	SCALE	UNIT
CBL-HFD3igCSO-xmRA				mm
Drawing Name		Drawn	Date	REV.
USB 3.1 GEN 1 A to C Cable M/M				1.0

Mobile Computing **JARGY**



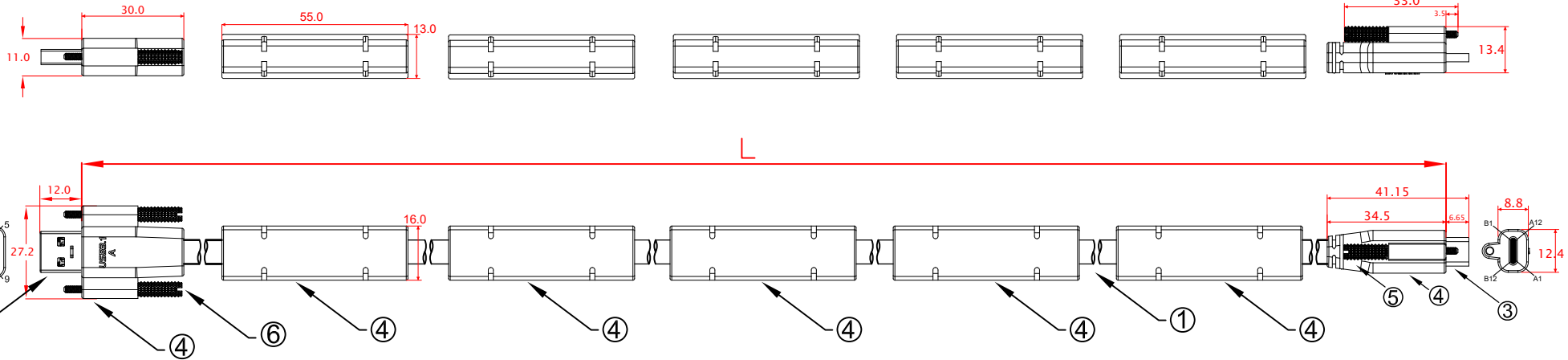
L:
 CBL-HFD3igCSO-10mDA 10000mm±50mm
 CBL-HFD3igCSO-11mDA 11000mm±50mm
 CBL-HFD3igCSO-12mDA 12000mm±50mm

No	MATERIALS LIST:
1.	CABLE:UL20236 (2x(2x28AWG)+2x(2x28AWG)C) OD:7.0mm PUR JACKET COLOR:RED LILAC
2.	CONNECTOR:USB 3.0 A/M, 9P, BLUE INSULATOR SOLDER TYPE, NICKEL PLATED SHELL
3.	CONNECTOR:USB 3.1 TYPE-C, MALE, NICKEL PLATED SHELL
4.	ABS ASSEMBLY HOUSING, BLACK COLOR
5.	SCREW:#4x33 M2
6.	SCREW:#4x34.5 M2



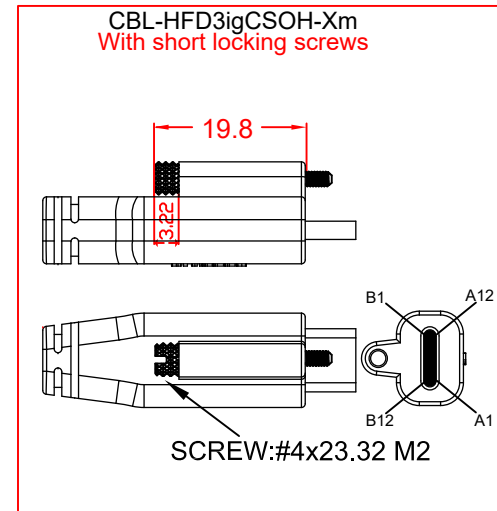
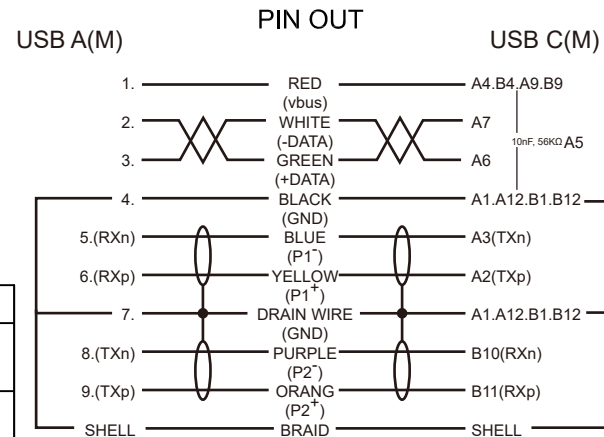
Jargy part no.	Client part no.	Approved	SCALE	UNIT
CBL-HFD3igCSO-xmDA				mm
Drawing Name		Drawn	Date	REV.
USB 3.1 GEN 1 A to C Cable M/M				1.0

Mobile Computing



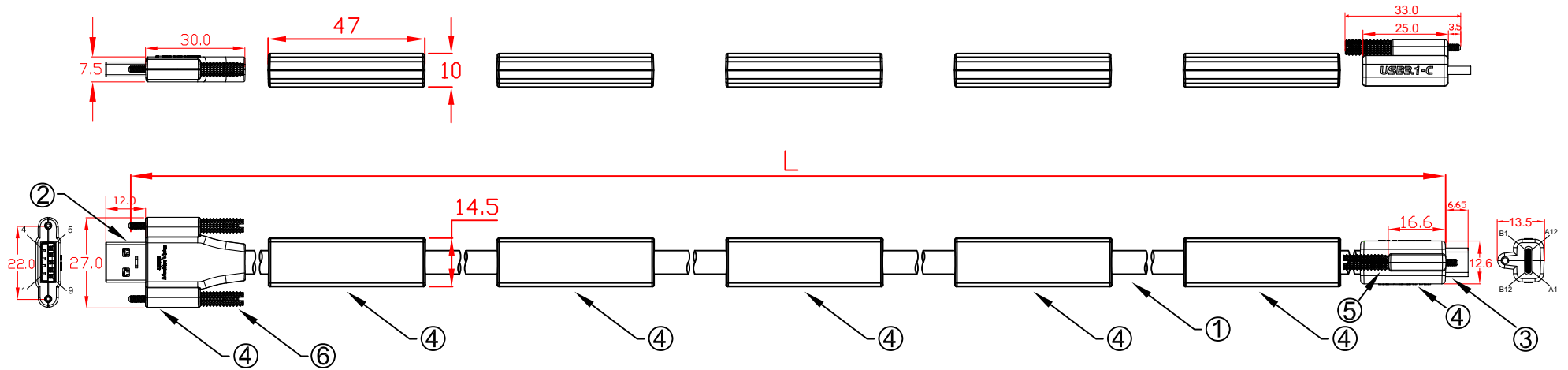
L:
 CBL-HFD3igCSO-13m 13000mm±50mm
 CBL-HFD3igCSO-14m 14000mm±50mm
 CBL-HFD3igCSO-15m 15000mm±50mm

No	MATERIALS LIST:
1.	CABLE:UL20236 (2x(2x28AWG)+2x(2x28AWG)C) OD:7.0mm PUR JACKET COLOR:RED LILAC
2.	CONNECTOR:USB 3.0 A/M, 9P, BLUE INSULATOR SOLDER TYPE, NICKEL PLATED SHELL
3.	CONNECTOR:USB 3.1 TYPE-C, MALE, NICKEL PLATED SHELL
4.	PVC MOLDED HOUSING, BLACK COLOR
5.	SCREW:#4x33 M2
6.	SCREW:#4x34.5 M2

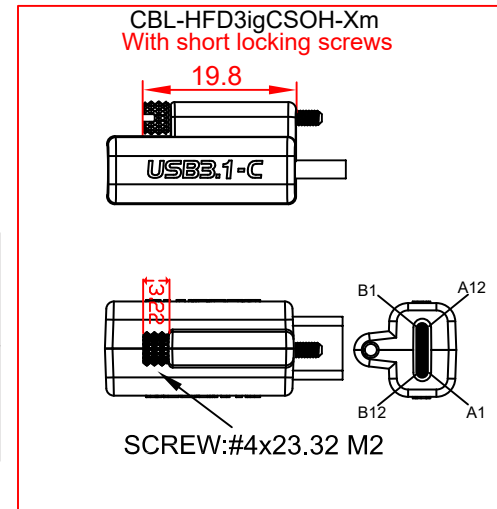
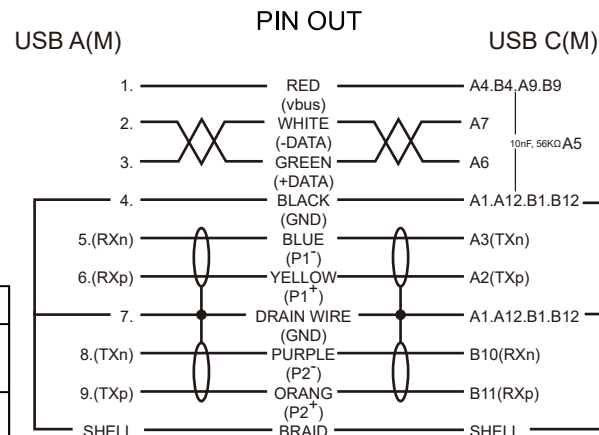


Jargy part no.	Client part no.	Approved	SCALE	UNIT
CBL-HFD3igCSO-xm				mm
Drawing Name		Drawn	Date	REV.
USB 3.1 GEN 1 A to C Cable M/M				1.0

Mobile Computing **JARGY**

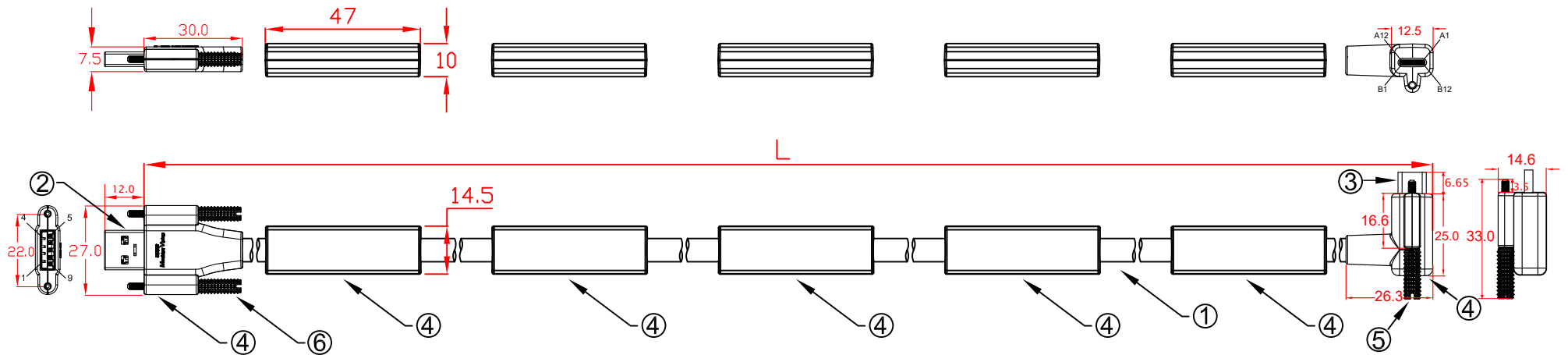


L:
 CBL-HFD3igCSO-13m 13000mm±50mm
 CBL-HFD3igCSO-14m 14000mm±50mm
 CBL-HFD3igCSO-15m 15000mm±50mm



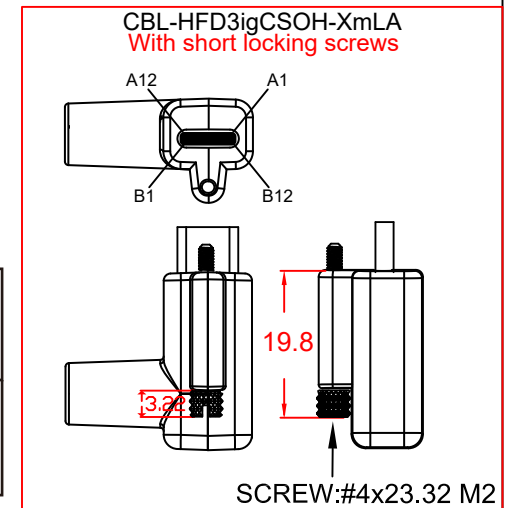
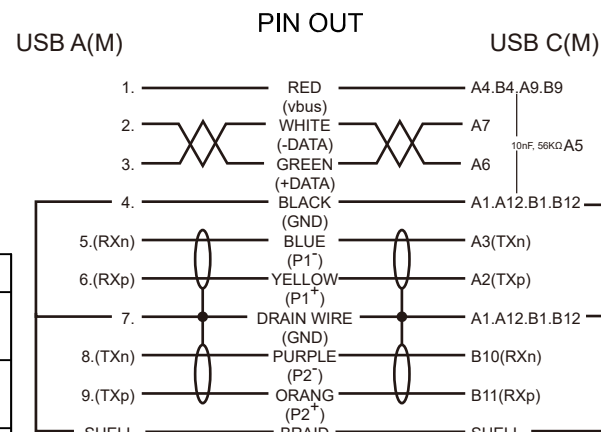
No	MATERIALS LIST:
1.	CABLE:UL20236 (2x(2x28AWG)+2x(2x28AWG)C) OD:7.0mm PUR JACKET COLOR:RED LILAC
2.	CONNECTOR:USB 3.0 A/M, 9P, BLUE INSULATOR SOLDER TYPE, NICKEL PLATED SHELL
3.	CONNECTOR:USB 3.1 TYPE-C, MALE, NICKEL PLATED SHELL
4.	ABS ASSEMBLY HOUSING, BLACK COLOR
5.	SCREW:#4x33 M2
6.	SCREW:#4x34.5 M2

Jargy part no.	Client part no.	Approved	SCALE	UNIT
CBL-HFD3igCSO-xm				mm
Drawing Name		Drawn	Date	REV.
USB 3.1 GEN 1 A to C Cable M/M				1.0



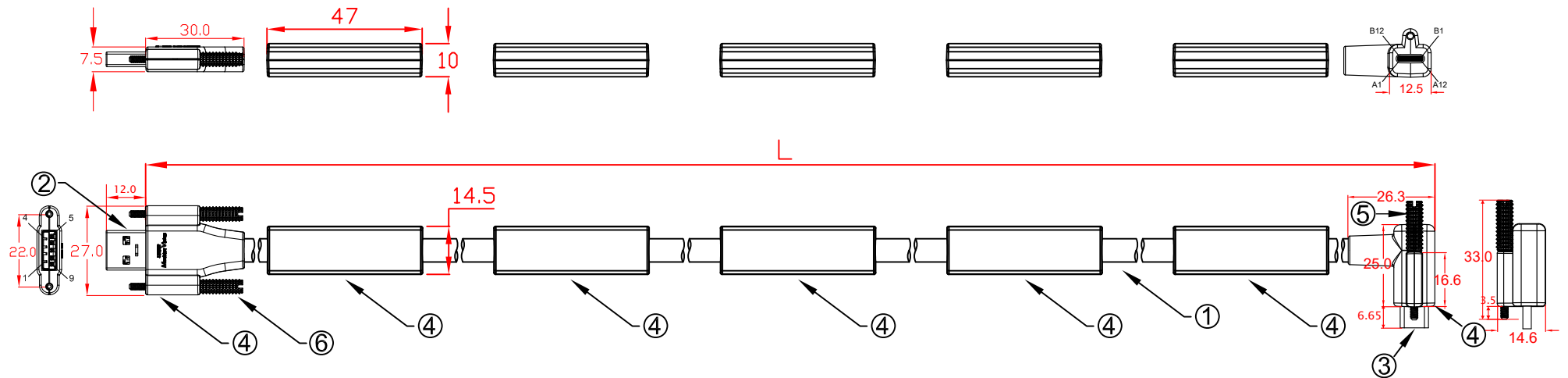
L:
 CBL-HFD3igCSO-13mLA 13000mm±50mm
 CBL-HFD3igCSO-14mLA 14000mm±50mm
 CBL-HFD3igCSO-15mLA 15000mm±50mm

No	MATERIALS LIST:
1.	CABLE:UL20236 (2x(2x28AWG)+2x(2x28AWG)C) OD:7.0mm PUR JACKET COLOR:RED LILAC
2.	CONNECTOR:USB 3.0 A/M, 9P, BLUE INSULATOR SOLDER TYPE, NICKEL PLATED SHELL
3.	CONNECTOR:USB 3.1 TYPE-C, MALE, NICKEL PLATED SHELL
4.	ABS ASSEMBLY HOUSING, BLACK COLOR
5.	SCREW:#4x33 M2
6.	SCREW:#4x34.5 M2



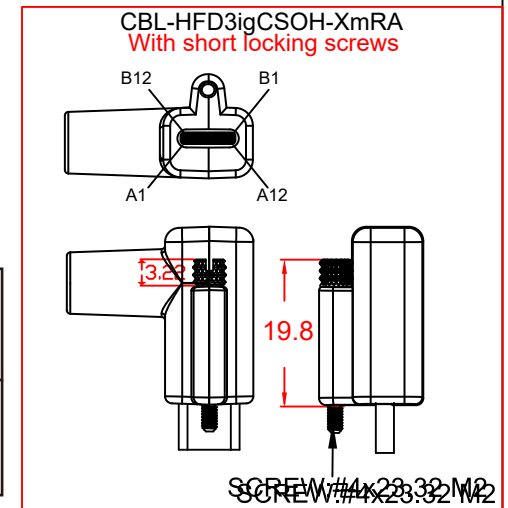
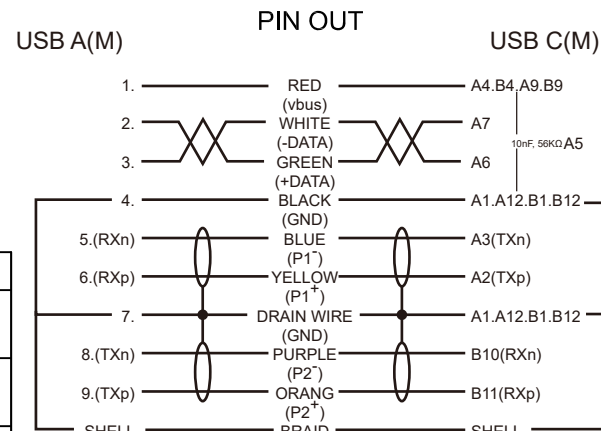
Jargy part no.	Client part no.	Approved	SCALE	UNIT
CBL-HFD3igCSO-xmLA				mm
Drawing Name		Drawn	Date	REV.
USB 3.1 GEN 1 A to C Cable M/M				1.0

Mobile Computing **JARGY**

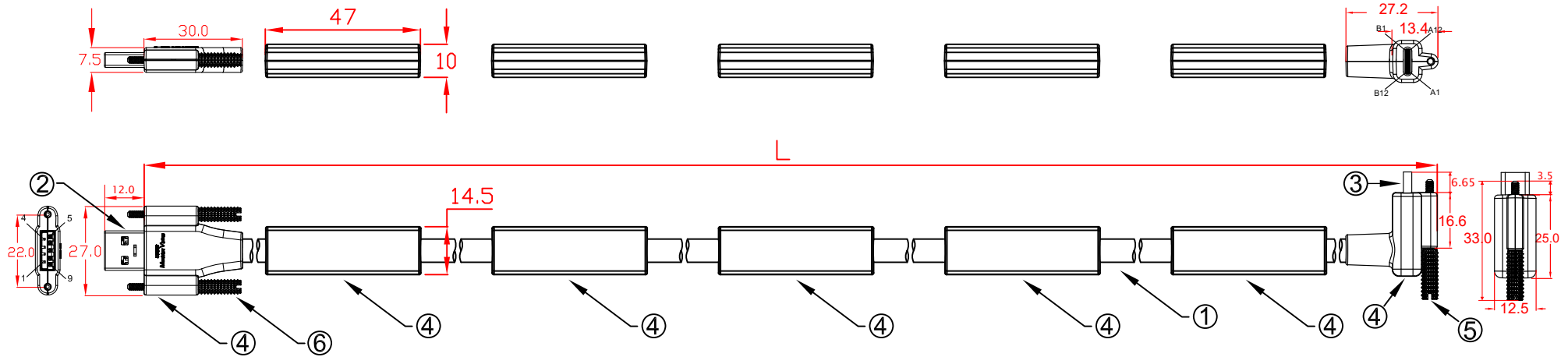


L:
 CBL-HFD3igCSO-13mRA 13000mm±50mm
 CBL-HFD3igCSO-14mRA 14000mm±50mm
 CBL-HFD3igCSO-15mRA 15000mm±50mm

No	MATERIALS LIST:
1.	CABLE:UL20236 (2x(2x28AWG)+2x(2x28AWG)C) OD:7.0mm PUR JACKET COLOR:RED LILAC
2.	CONNECTOR:USB 3.0 A/M, 9P, BLUE INSULATOR SOLDER TYPE, NICKEL PLATED SHELL
3.	CONNECTOR:USB 3.1 TYPE-C, MALE, NICKEL PLATED SHELL
4.	ABS ASSEMBLY HOUSING, BLACK COLOR
5.	SCREW:#4x33 M2
6.	SCREW:#4x34.5 M2

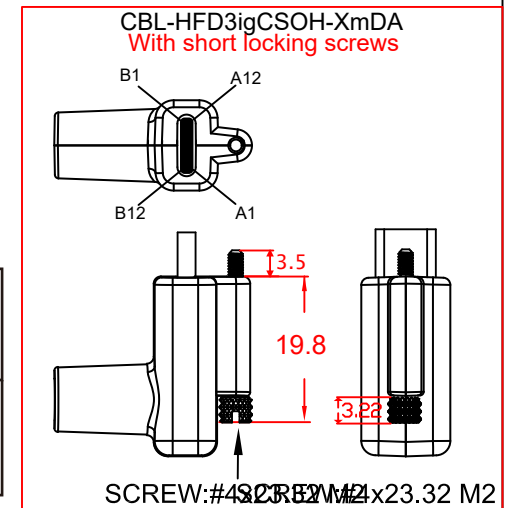
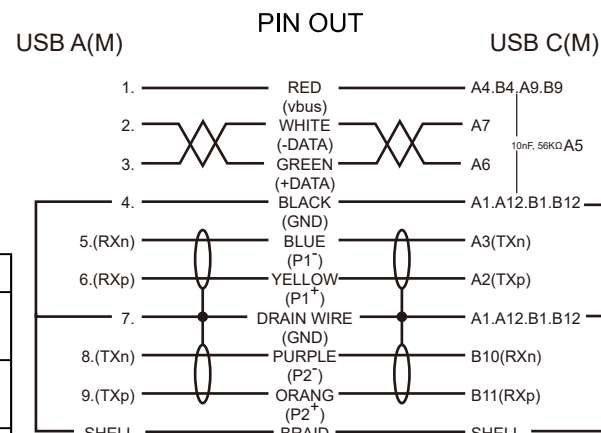


Jargy part no.	Client part no.	Approved	SCALE	UNIT
CBL-HFD3igCSO-xmRA				mm
Drawing Name		Drawn	Date	REV.
USB 3.1 GEN 1 A to C Cable M/M				1.0

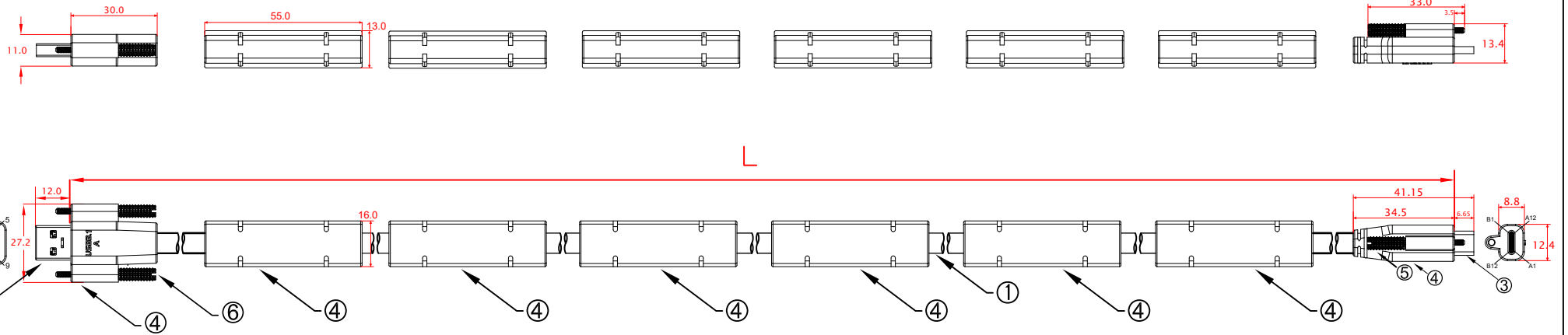


L:
 CBL-HFD3igCSO-13mDA 13000mm±50mm
 CBL-HFD3igCSO-14mDA 14000mm±50mm
 CBL-HFD3igCSO-15mDA 15000mm±50mm

No	MATERIALS LIST:
1.	CABLE:UL20236 (2x(2x28AWG)+2x(2x28AWG)C) OD:7.0mm PUR JACKET COLOR:RED LILAC
2.	CONNECTOR:USB 3.0 A/M, 9P, BLUE INSULATOR SOLDER TYPE, NICKEL PLATED SHELL
3.	CONNECTOR:USB 3.1 TYPE-C, MALE, NICKEL PLATED SHELL
4.	ABS ASSEMBLY HOUSING, BLACK COLOR
5.	SCREW:#4x33 M2
6.	SCREW:#4x34.5 M2



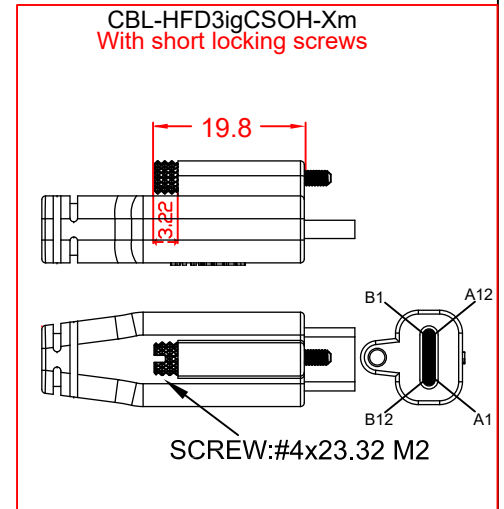
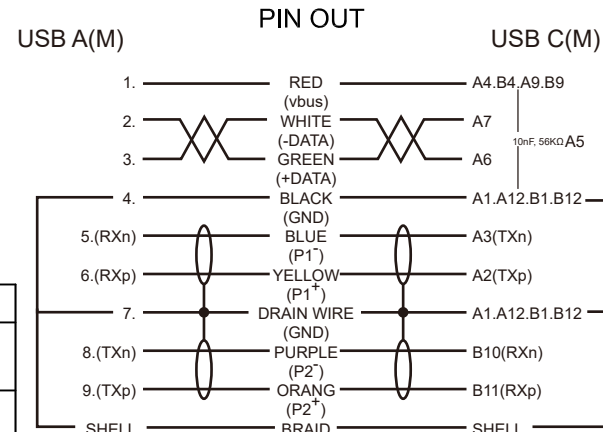
Jargy part no.	Client part no.	Approved	SCALE	UNIT
CBL-HFD3igCSO-xmDA				mm
Drawing Name		Drawn	Date	REV.
USB 3.1 GEN 1 A to C Cable M/M				1.0



L:

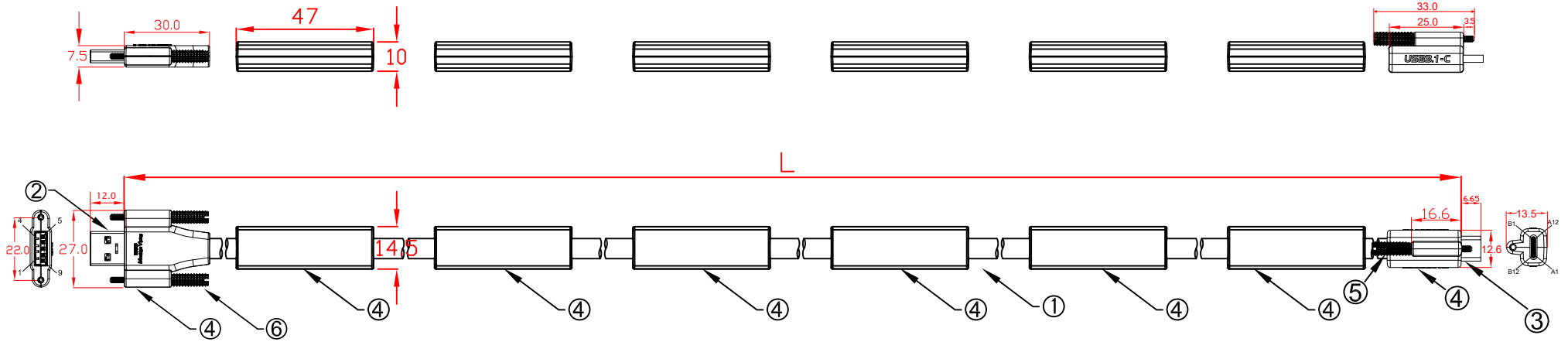
CBL-HFD3igCSO-16m	16000mm±50mm
CBL-HFD3igCSO-17m	17000mm±50mm
CBL-HFD3igCSO-18m	18000mm±50mm
CBL-HFD3igCSO-19m	19000mm±50mm
CBL-HFD3igCSO-20m	20000mm±50mm

No	MATERIALS LIST:
1.	CABLE:UL20236 (2x(2x28AWG)+2x(2x28AWG)C) OD:7.0mm PUR JACKET COLOR:RED LILAC
2.	CONNECTOR:USB 3.0 A/M, 9P, BLUE INSULATOR SOLDER TYPE, NICKEL PLATED SHELL
3.	CONNECTOR:USB 3.1 TYPE-C, MALE, NICKEL PLATED SHELL
4.	PVC MOLDED HOUSING, BLACK COLOR
5.	SCREW:#4x33 M2
6.	SCREW:#4x34.5 M2



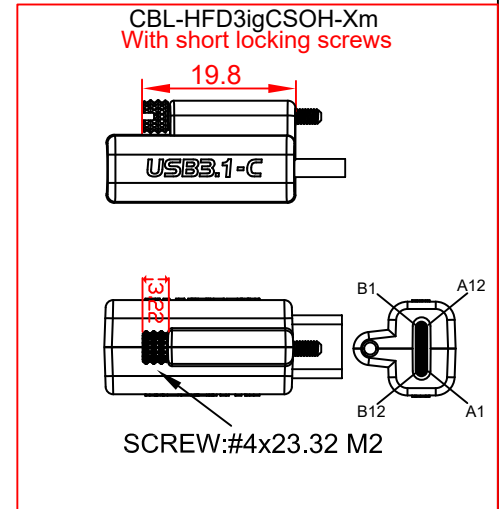
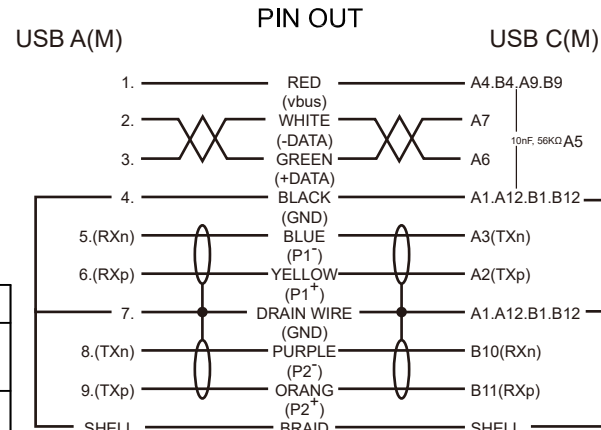
Jargy part no.	Client part no.	Approved	SCALE	UNIT
CBL-HFD3igCSO-xm				mm
Drawing Name		Drawn	Date	REV.
USB 3.1 GEN 1 A to C Cable M/M				1.0

Mobile Computing **JARGY**



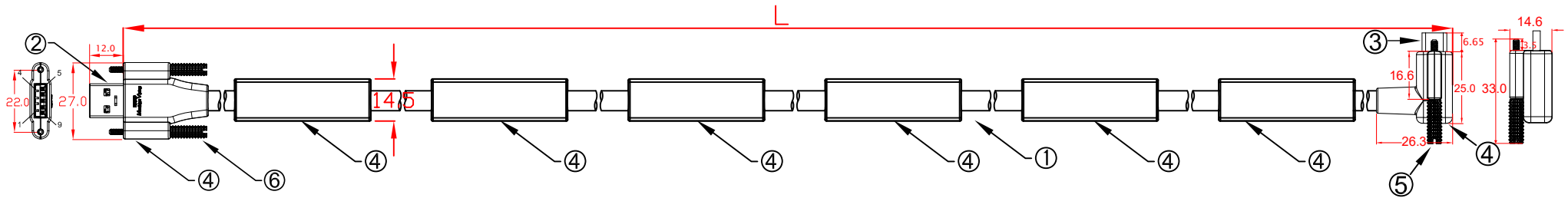
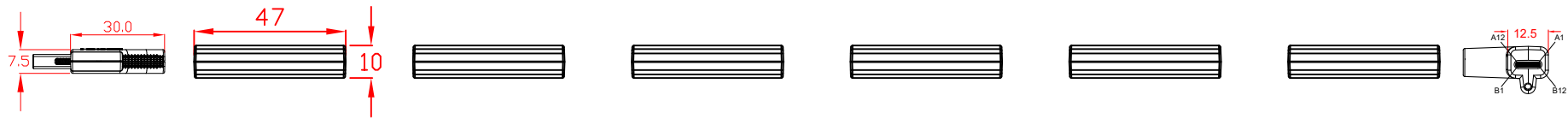
- L:
 CBL-HFD3igCSO-16m 16000mm±50mm
 CBL-HFD3igCSO-17m 17000mm±50mm
 CBL-HFD3igCSO-18m 18000mm±50mm
 CBL-HFD3igCSO-19m 19000mm±50mm
 CBL-HFD3igCSO-20m 20000mm±50mm

No	MATERIALS LIST:
1.	CABLE:UL20236 (2x(2x28AWG)+2x(2x28AWG)C) OD:7.0mm PUR JACKET COLOR:RED LILAC
2.	CONNECTOR:USB 3.0 A/M, 9P, BLUE INSULATOR SOLDER TYPE, NICKEL PLATED SHELL
3.	CONNECTOR:USB 3.1 TYPE-C, MALE, NICKEL PLATED SHELL
4.	ABS ASSEMBLY HOUSING, BLACK COLOR
5.	SCREW:#4x33 M2
6.	SCREW:#4x34.5 M2



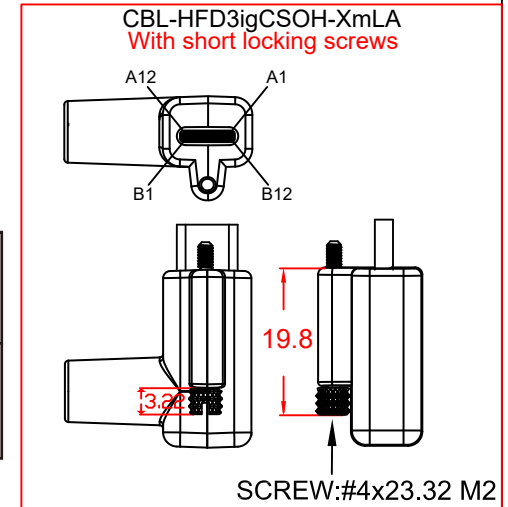
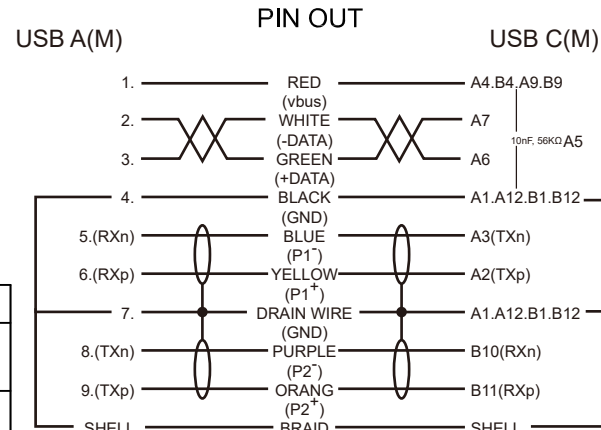
Jargy part no.	Client part no.	Approved	SCALE	UNIT
CBL-HFD3igCSO-xm				mm
Drawing Name		Drawn	Date	REV.
USB 3.1 GEN 1 A to C Cable M/M				1.0

Mobile Computing **JARGY**

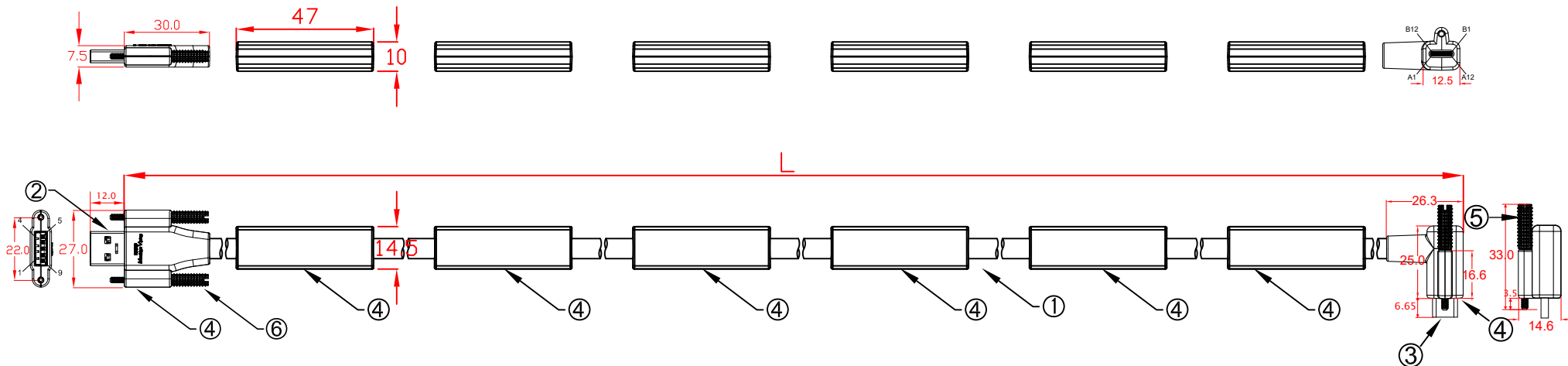


- L:
- CBL-HFD3igCSO-16mLA 16000mm±50mm
 - CBL-HFD3igCSO-17mLA 17000mm±50mm
 - CBL-HFD3igCSO-18mLA 18000mm±50mm
 - CBL-HFD3igCSO-19mLA 19000mm±50mm
 - CBL-HFD3igCSO-20mLA 20000mm±50mm

No	MATERIALS LIST:
1.	CABLE:UL20236 (2x(2x28AWG)+2x(2x28AWG)C) OD:7.0mm PUR JACKET COLOR:RED LILAC
2.	CONNECTOR:USB 3.0 A/M, 9P, BLUE INSULATOR SOLDER TYPE, NICKEL PLATED SHELL
3.	CONNECTOR:USB 3.1 TYPE-C, MALE, NICKEL PLATED SHELL
4.	ABS ASSEMBLY HOUSING, BLACK COLOR
5.	SCREW:#4x33 M2
6.	SCREW:#4x34.5 M2

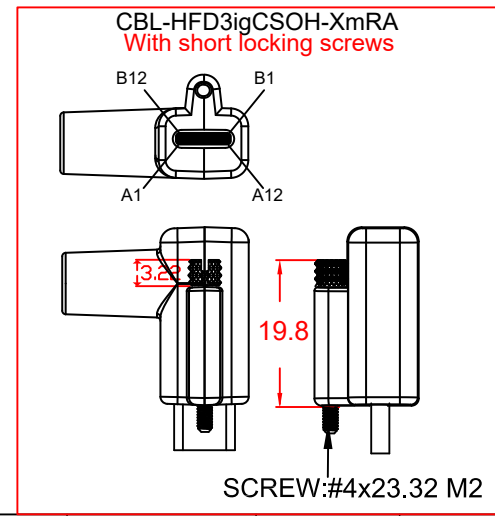
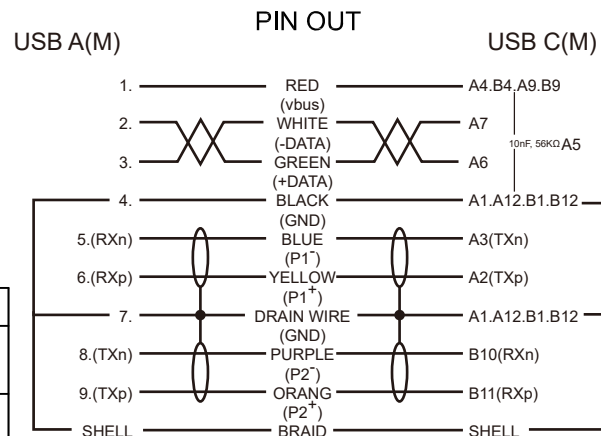


Jargy part no.	Client part no.	Approved	SCALE	UNIT
CBL-HFD3igCSO-xmLA				mm
Drawing Name		Drawn	Date	REV.
USB 3.1 GEN 1 A to C Cable M/M				1.0

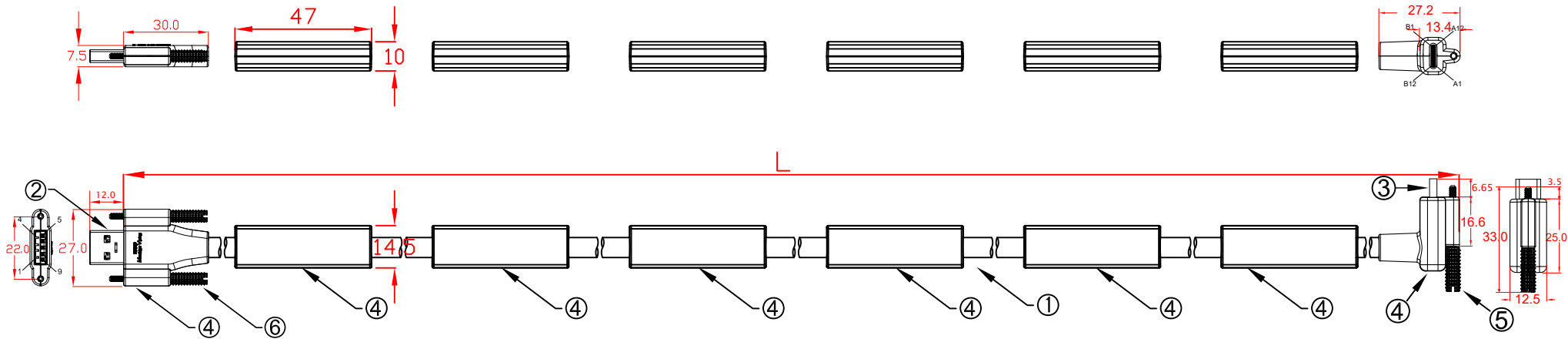


L:
 CBL-HFD3igCSO-16mRA 16000mm±50mm
 CBL-HFD3igCSO-17mRA 17000mm±50mm
 CBL-HFD3igCSO-18mRA 18000mm±50mm
 CBL-HFD3igCSO-19mRA 19000mm±50mm
 CBL-HFD3igCSO-20mRA 20000mm±50mm

No	MATERIALS LIST:
1.	CABLE:UL20236 (2x(2x28AWG)+2x(2x28AWG)C) OD:7.0mm PUR JACKET COLOR:RED LILAC
2.	CONNECTOR:USB 3.0 A/M, 9P, BLUE INSULATOR SOLDER TYPE, NICKEL PLATED SHELL
3.	CONNECTOR:USB 3.1 TYPE-C, MALE, NICKEL PLATED SHELL
4.	ABS ASSEMBLY HOUSING, BLACK COLOR
5.	SCREW:#4x33 M2
6.	SCREW:#4x34.5 M2

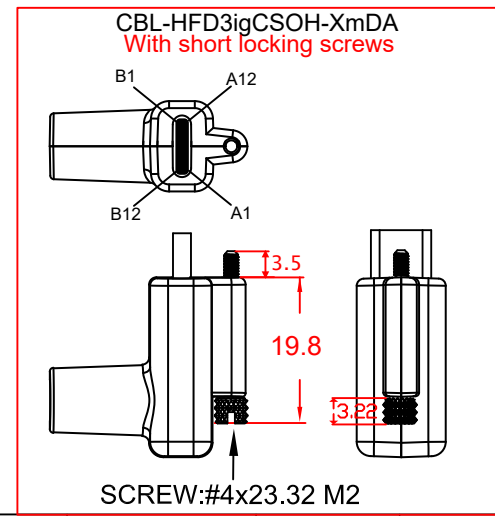
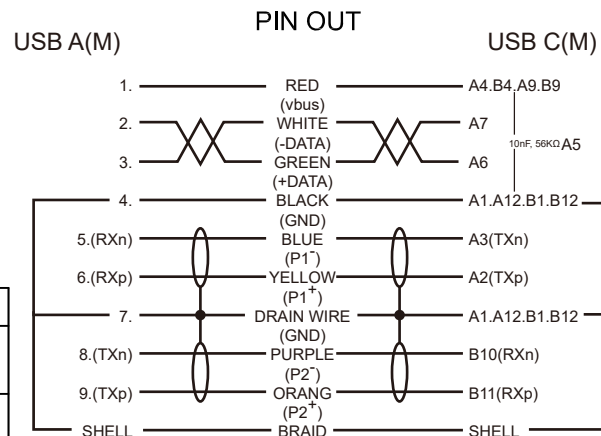


Jargy part no.	Client part no.	Approved	SCALE	UNIT
CBL-HFD3igCSO-xmRA				mm
Drawing Name		Drawn	Date	REV.
USB 3.1 GEN 1 A to C Cable M/M				1.0



- L:
- CBL-HFD3igCSO-16mDA 16000mm±50mm
 - CBL-HFD3igCSO-17mDA 17000mm±50mm
 - CBL-HFD3igCSO-18mDA 18000mm±50mm
 - CBL-HFD3igCSO-19mDA 19000mm±50mm
 - CBL-HFD3igCSO-20mDA 20000mm±50mm

No	MATERIALS LIST:
1.	CABLE:UL20236 (2x(2x28AWG)+2x(2x28AWG)C) OD:7.0mm PUR JACKET COLOR:RED LILAC
2.	CONNECTOR:USB 3.0 A/M, 9P, BLUE INSULATOR SOLDER TYPE, NICKEL PLATED SHELL
3.	CONNECTOR:USB 3.1 TYPE-C, MALE, NICKEL PLATED SHELL
4.	ABS ASSEMBLY HOUSING, BLACK COLOR
5.	SCREW:#4x33 M2
6.	SCREW:#4x34.5 M2



Jargy part no.	Client part no.	Approved	SCALE	UNIT
CBL-HFD3igCSO-xmDA				mm
Drawing Name		Drawn	Date	REV.
USB 3.1 GEN 1 A to C Cable M/M				1.0